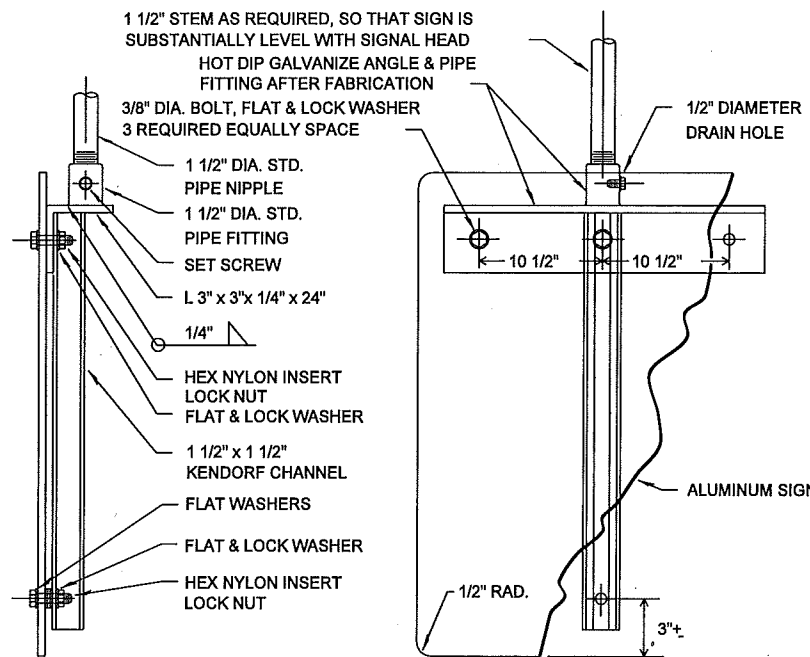
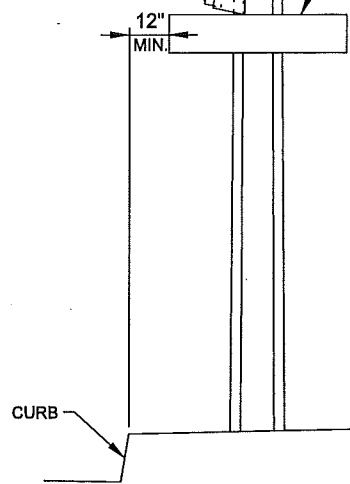


**NOTES FOR MAST ARM MOUNT:**

1. ATTACH SIGN TO MAST ARM WITH AT LEAST THREE STAINLESS STEEL BANNED BRACKETS (I.E. BAND-IT BRACK-IT D004 OR APPROVED EQUAL) WITH STAINLESS STEEL WASHER ABOVE NYLON WASHER ABOVE SIGN FACE
2. PROVIDE STABLE, FLAT AND LEVEL SIGN INSTALLATION WITH BRACKETS SPACED (S\*) A MAXIMUM OF 24" APART, NO CLOSER THAN 3#4" FROM THE TOP OR BOTTOM AND NOT MORE THAN 15" FROM THE END (E\*).
3. SIGN SHALL BE CENTERED BETWEEN RISER AND SIGNAL OR AS DIRECTED.
4. SEE P-420 FOR STREETNAME SIGN DETAILS

**NOTES FOR SIGNAL POLE RISER MOUNT:**

1. USE REQUIRES APPROVAL BY THE PBOT TRAFFIC ENGINEER. TYPICAL LOCATIONS INCLUDE WHERE MAST ARMS ARE SHORT OR THERE ARE NO MAST ARMS.
2. ATTACH SIGN TO SIGNAL POLE RISER WITH AN ADJUSTABLE BRACKET (I.E. PELCO AB-0144, OLSON SKY BRACKET, OR APPROVED EQUAL). SEE PBOT ELECTRICAL EQUIPMENT AND MATERIAL LIST.
3. SIGN SHALL BE CENTER MOUNTED ON POLE. SIGN SHALL NOT EXTEND WITHIN 12" OF STREET CURB UNLESS VERTICAL CLEARANCE HAS BEEN APPROVED BY THE PBOT TRAFFIC ENGINEER.

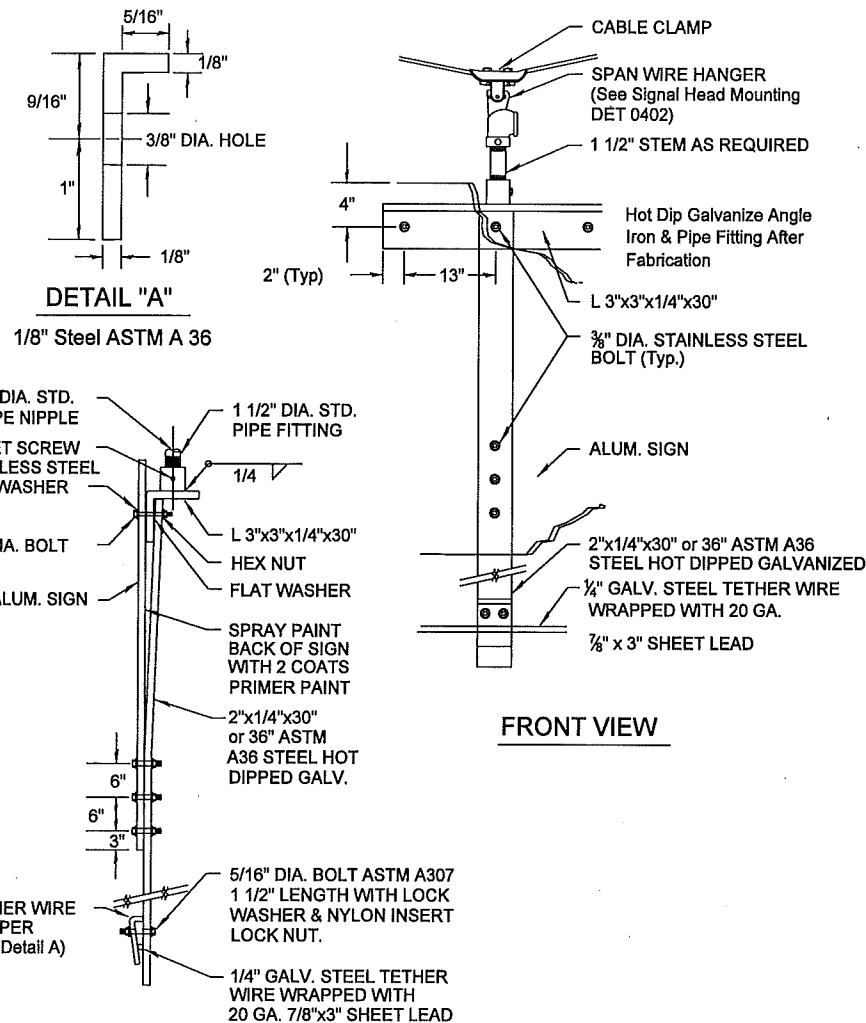


**SIDE VIEW**

**FRONT VIEW**

**NOTE :**  
ALL BOLTS, NUTS, WASHERS & SET SCREWS SHALL BE STAINLESS STEEL.

**ALUMINUM SIGN  
MAST ARM MOUNTING DETAIL**

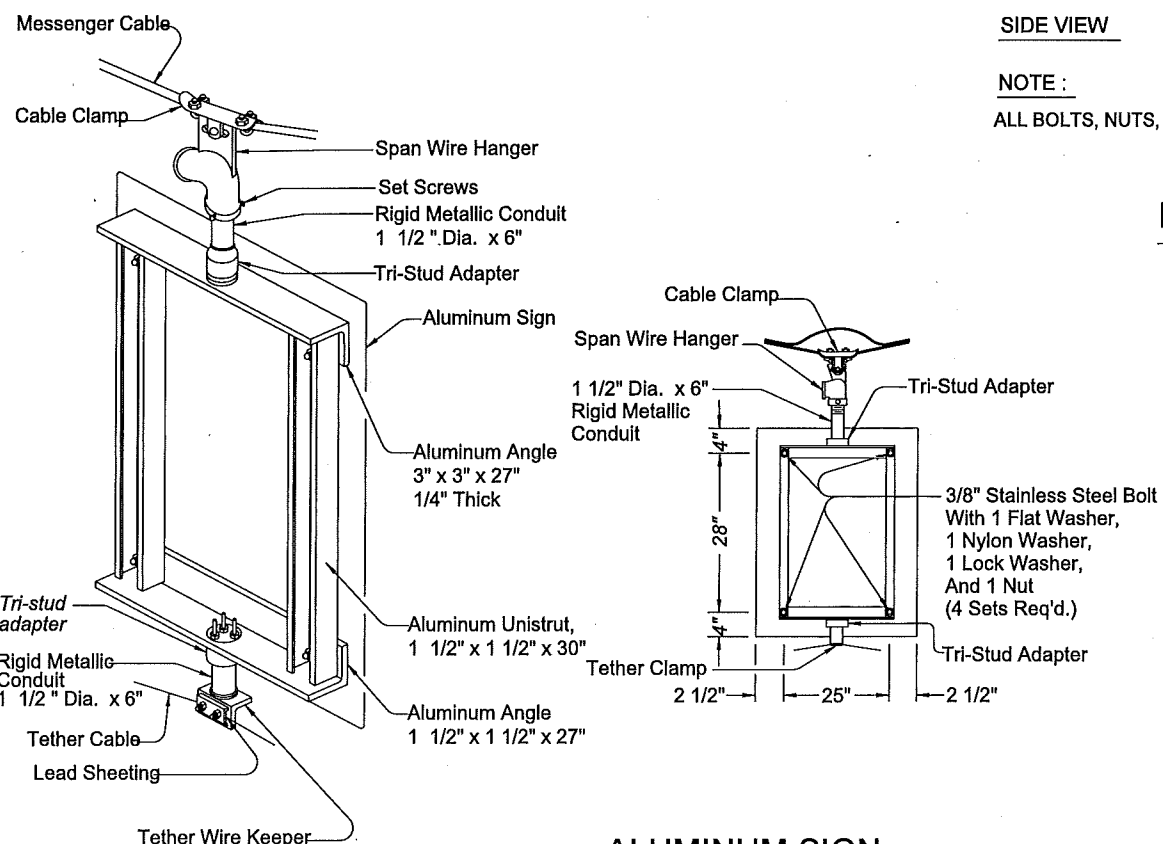


**DETAIL "A"**  
1/8" Steel ASTM A 36

**FRONT VIEW**

**SIDE VIEW**

**ALUMINUM SIGN  
SPANWIRE MOUNTING DETAIL**

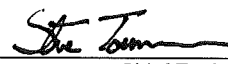


**ALUMINUM SIGN  
ODOT SPANWIRE MOUNTING DETAIL  
(SEE ODOT STD DWG TM465)**

**NOT TO SCALE**

The selection and use of this Standard Drawing, while designed in accordance with generally accepted engineering principles and practices, is the sole responsibility of the user.

**BUREAU OF TRANSPORTATION  
CITY OF PORTLAND, OREGON**



Chief Engineer

Standard Drawing Title  
**OVERHEAD STREET NAME  
AND ALUMINUM SIGN MOUNTING  
DETAILS**

Note:  
All material and workmanship shall be in accordance with the City of Portland Standard Construction Specifications.

Effective Date: 03-20-15

Calc. Book No.:

Baseline Report Date:

Standard Drawing No.

**P-629**