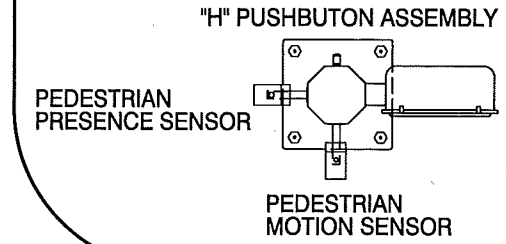


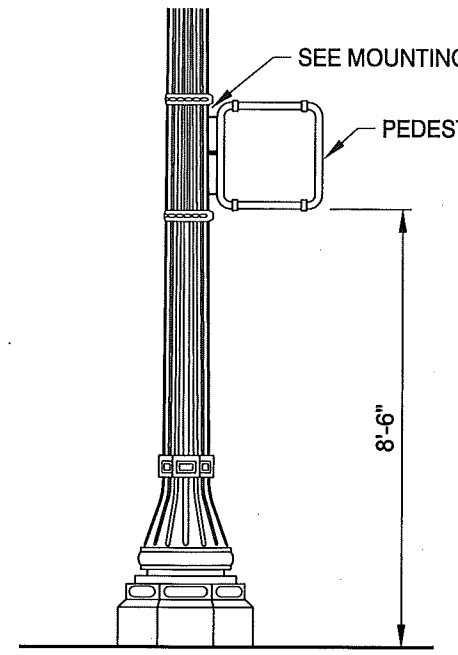
ELEVATION



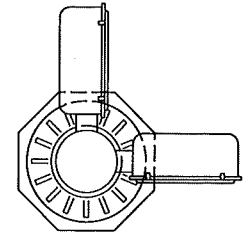
PLAN

PEDESTRIAN SENSORS AND CLAMSHELL MOUNTED PEDESTRIAN SIGNAL ON FRANGIBLE BASE POLE

- NOTES :
- 1.- DRILL AND TAP POLE FOR 3/4" CHASE NIPPLE FOR CABLE ENTRANCE.
 - 2.- DETERMINE PLACEMENT FROM SIGNAL PLAN
 - 3.- MOUNT PEDESTRIAN DETECTORS ABOVE 16" X 1-1/2" NIPPLE PER MANUFACTURER'S RECOMMENDATION.



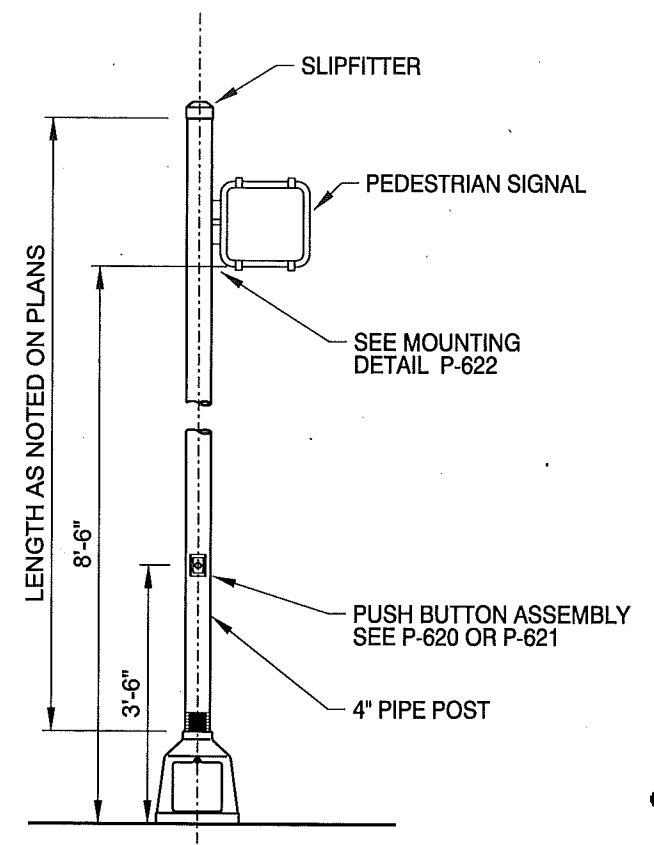
ELEVATION



PLAN

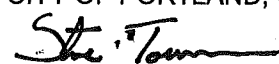
CLAMSHELL MOUNTED PEDESTRIAN SIGNAL ON ORNAMENTAL STREET LIGHT POLE

- NOTES :
- 1.) DRILL AND TAP POLE FOR 3/4" CHASE NIPPLE FOR CABLE ENTRANCE.
 - 2.) DETERMINE PLACEMENT FROM SIGNAL PLAN



PEDESTRIAN SIGNAL & PUSHBUTTON ON PIPE POST

NOT TO SCALE

<p>The selection and use of this Standard Drawing, while designed in accordance with generally accepted engineering principles and practices, is the sole responsibility of the user.</p>	<p>BUREAU OF TRANSPORTATION CITY OF PORTLAND, OREGON</p>  Chief Engineer	
	<p>Standard Drawing Title</p> <p>PEDESTRIAN SIGNAL, SENSOR, AND PUSHBUTTON ON FRANGIBLES, ORNAMENTALS, AND PIPE POSTS</p>	
<p>Note: All material and workmanship shall be in accordance with the City of Portland Standard Construction Specifications.</p>	<p>Effective Date: 05-10-16</p>	<p>Standard Drawing No.</p> <p>P-623</p>
	<p>Calc. Book No.:</p>	
	<p>Baseline Report Date:</p>	