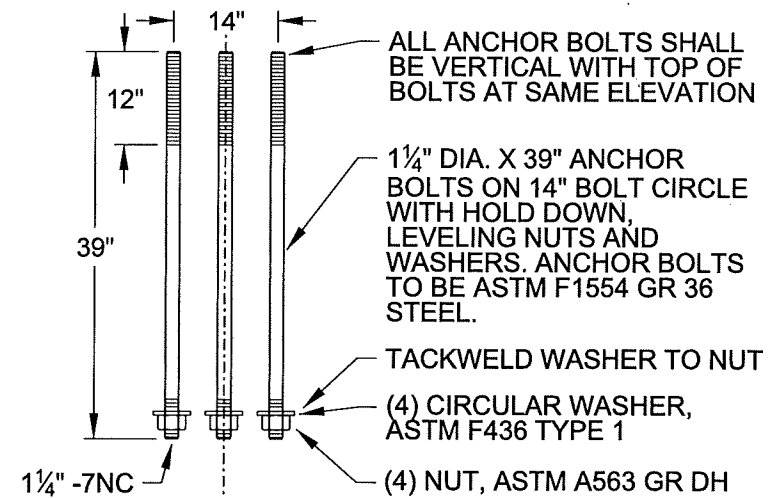
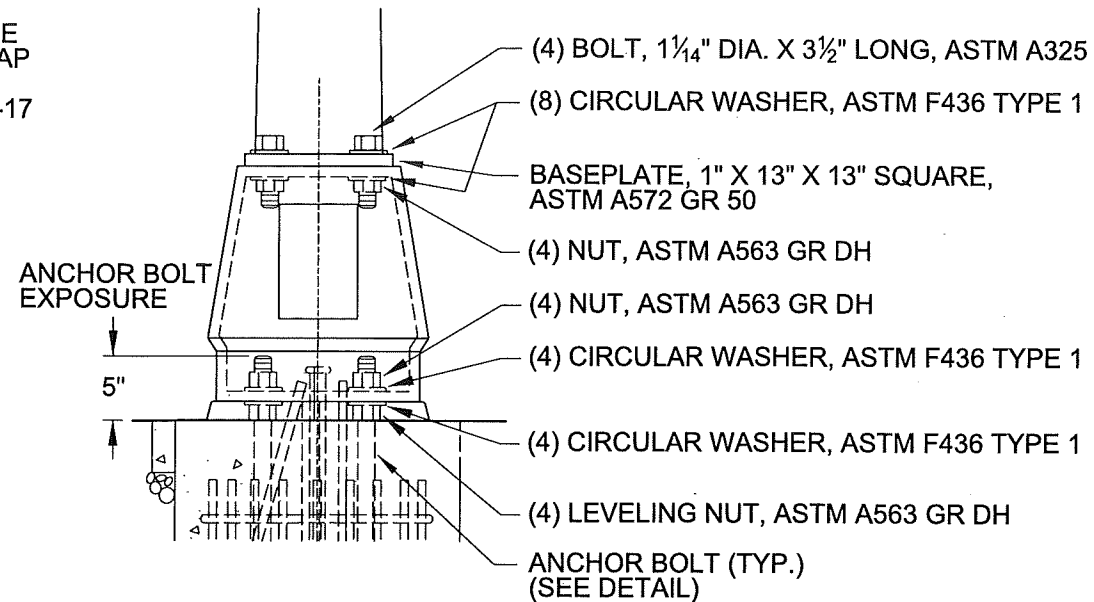
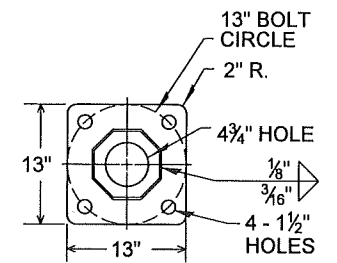


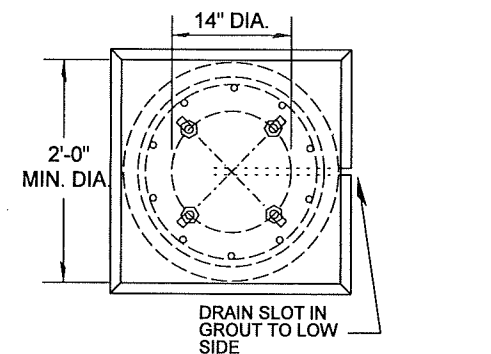
STEEL SIGNAL POLE ON FRANGIBLE BASE FOOTING DETAILS



STEEL SIGNAL POLE ON FRANGIBLE BASE REINFORCING BOLT CAGE



POLE BASEPLATE DETAIL




FOUNDATION TOP VIEW

NOTES:

- STEEL TUBES AND BASE PLATE TO CONFORM TO ASTM A572 GR 50.
- PIPE AT TOP SHALL CONFORM TO ASTM A53 GR B.
- STEEL ASSEMBLY SHALL BE GALVANIZED PER ASTM A123.
- BOLTS, NUTS, AND WASHERS SHALL BE GALVANIZED PER ASTM A153 AND F2329.

NOT TO SCALE

The selection and use of this Standard Drawing, while designed in accordance with generally accepted engineering principles and practices, is the sole responsibility of the user.	PORTLAND BUREAU OF TRANSPORTATION  Chief Engineer	
	Standard Drawing Title	
Note: All material and workmanship shall be in accordance with the City of Portland Standard Construction Specifications.	SIGNAL POLE FOOTING FRANGIBLE BASE	
	Effective Date: 06-21-16	Standard Drawing No.
	Calc. Book No.:	P-608
Baseline Report Date:		