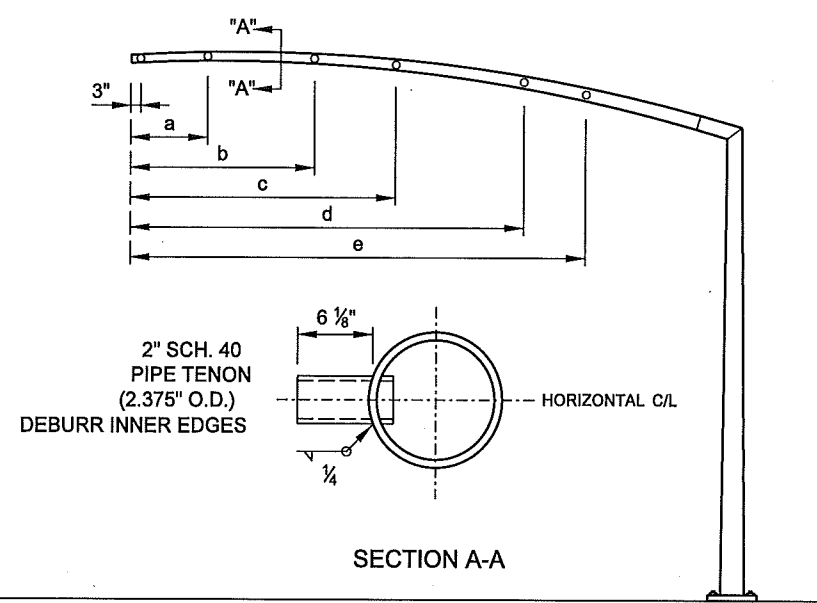
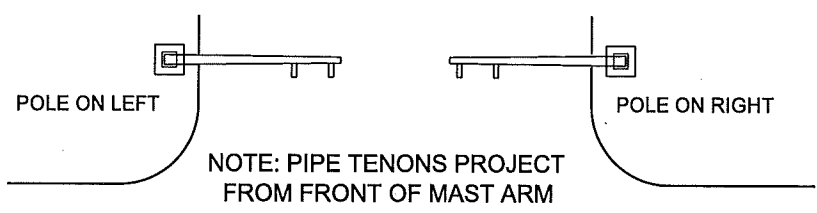


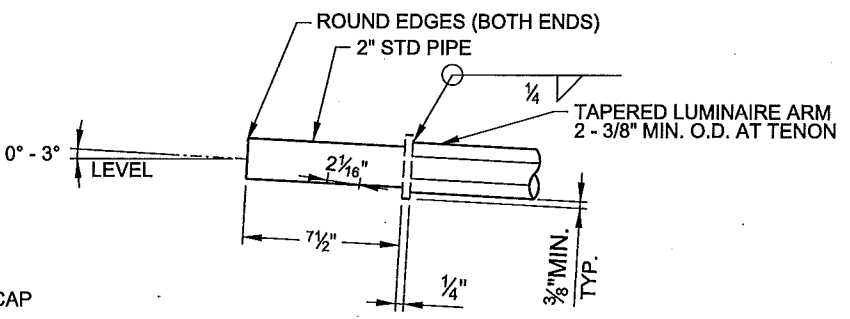
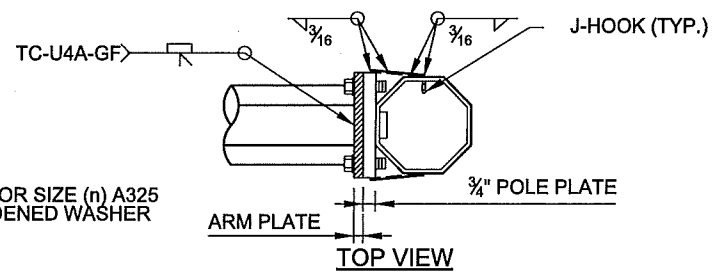
LUMINAIRE ARM WELD DETAIL



NOTE:
APPLICABLE DIMENSIONS a,b,c,d, & e SHOWN ON POLE SCHEDULE AND MAST ARM CLEARANCE CALCULATIONS.

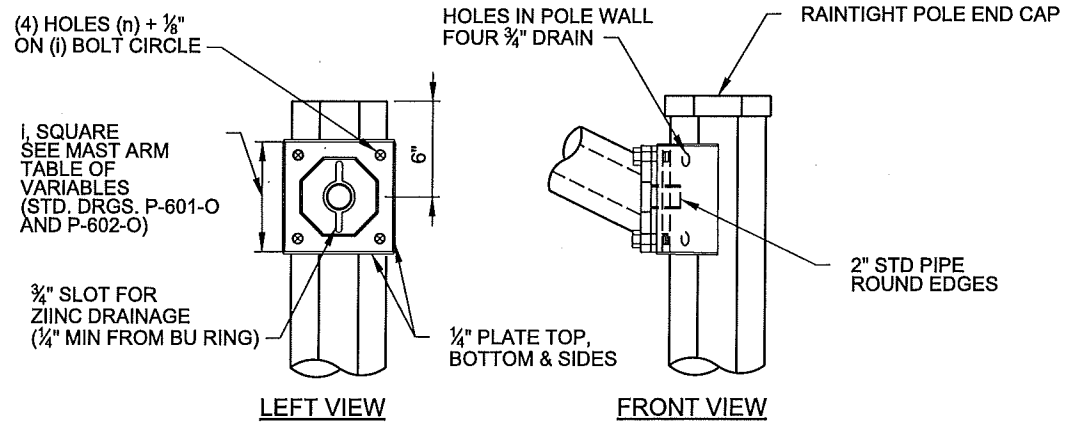
MAST ARM PIPE TENON ATTACHMENT

LUMINAIRE ARM DATA				
ARM LENGTH "LA" (FT)	APPROXIMATE RISE (LOADED) (IN)	ARM PLATE THICKNESS (IN)	(i) BOLT CIRCLE/ PLATE SQUARE (IN)	BOLT SIZE (n) (IN x IN)
6	18	0.75	7.0	5/8 x 2.0
8	30	0.75	7.0	5/8 x 2.0
10	41	0.75	7.0	5/8 x 2.0
12	53	0.75	7.0	5/8 x 2.0
15	70	0.75	7.0	5/8 x 2.0
20	72	1.0	9.0	3/4 x 2.5



LUMINAIRE TENON DETAIL

DESIGN LUMINAIRE (ROUNDED)	
PROJECTED AREA	3.3 SQ FT
WEIGHT	60 LBS
AREA FOR ICE	8.7 SQ FT



LUMINAIRE ARM CONNECTION

NOT TO SCALE

The selection and use of this Standard Drawing, while designed in accordance with generally accepted engineering principles and practices, is the sole responsibility of the user.

BUREAU OF TRANSPORTATION
CITY OF PORTLAND, OREGON
Steve Tomson
Chief Engineer

Standard Drawing Title
MAST ARM PIPE TENON ATTACHMENT AND LUMINAIRE ARM DETAILS

Note:
All material and workmanship shall be in accordance with the City of Portland Standard Construction Specifications.

Effective Date: 07-15-2015
Calc. Book No.:
Baseline Report Date:

Standard Drawing No.
P-605