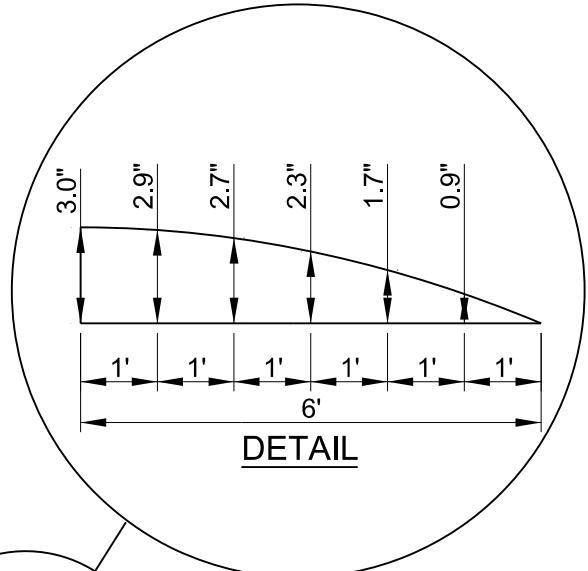
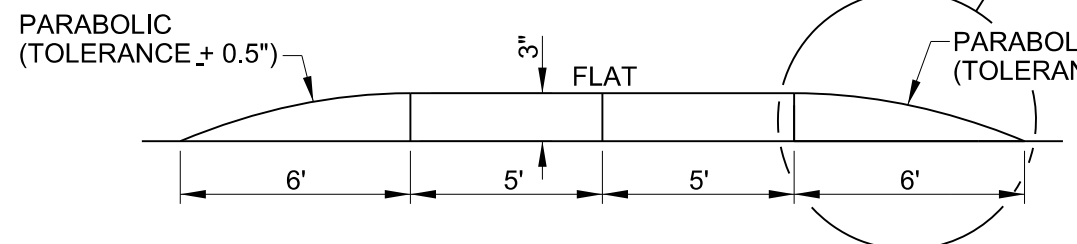


PLAN  
2  
-



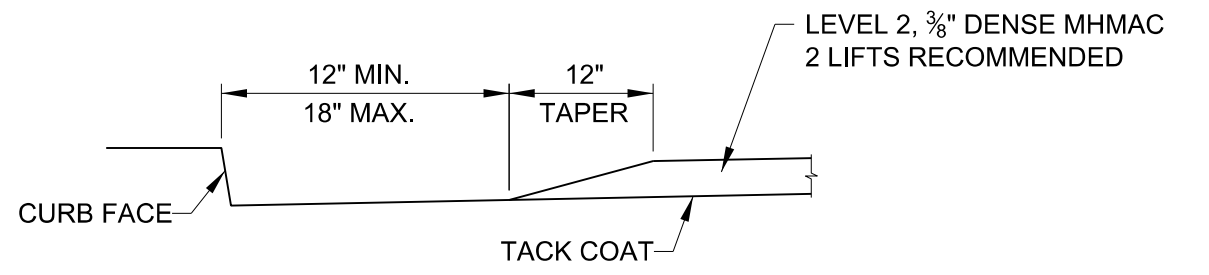
DETAIL



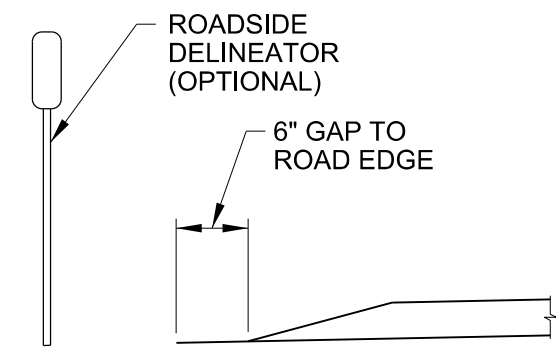
SECTION 1  
1  
-

- NOTES:**
1. PAVEMENT MARKINGS ON SPEED BUMP SHALL BE INSTALLED CONCURRENTLY WITH THE ASPHALT STRUCTURES. FOLLOW MANUFACTURER'S INLAY PROCEDURES FOR PAVEMENT MARKINGS ON SPEED BUMPS.
  2. PAVEMENT MARKINGS AND SIGNS SHALL BE INSTALLED BEFORE OPENING ANY LANE TO TRAFFIC THAT IS OCCUPIED BY A NEW SPEED BUMP.
  3. PAVEMENT MARKING LAYOUT ASSUMES A TWO-LANE, TWO-WAY STREET WITH PARKING ON BOTH SIDES. FOR ALL OTHER CONFIGURATIONS SUBMIT REVISED LAYOUT TO ENGINEER FOR APPROVAL.

\* SEE PBOT STANDARD DETAIL P-435



CURB DETAIL



SHOULDER DETAIL FOR STREETS WITHOUT CURBS

SECTION 2  
2  
-

<p>The selection and use of this Standard Drawing, while designed in accordance with generally accepted engineering principles and practices, is the sole responsibility of the user.</p>	<p><b>PBOT</b> PORTLAND BUREAU OF TRANSPORTATION</p> <p><i>Steve Townson</i> City Engineer</p>	
	<p>Standard Drawing Title</p> <p><b>22' ASPHALT ARTERIAL SPEED BUMP</b></p>	
	<p>Effective Date: 03-15-2018</p>	<p>Standard Drawing No.</p> <p><b>P-441</b></p>
<p>Note: All material and workmanship shall be in accordance with the City of Portland Standard Construction Specifications.</p>	<p>Calc. Book No.: 441</p>	<p>Std. Drg. Report Date: 03-15-2018</p>