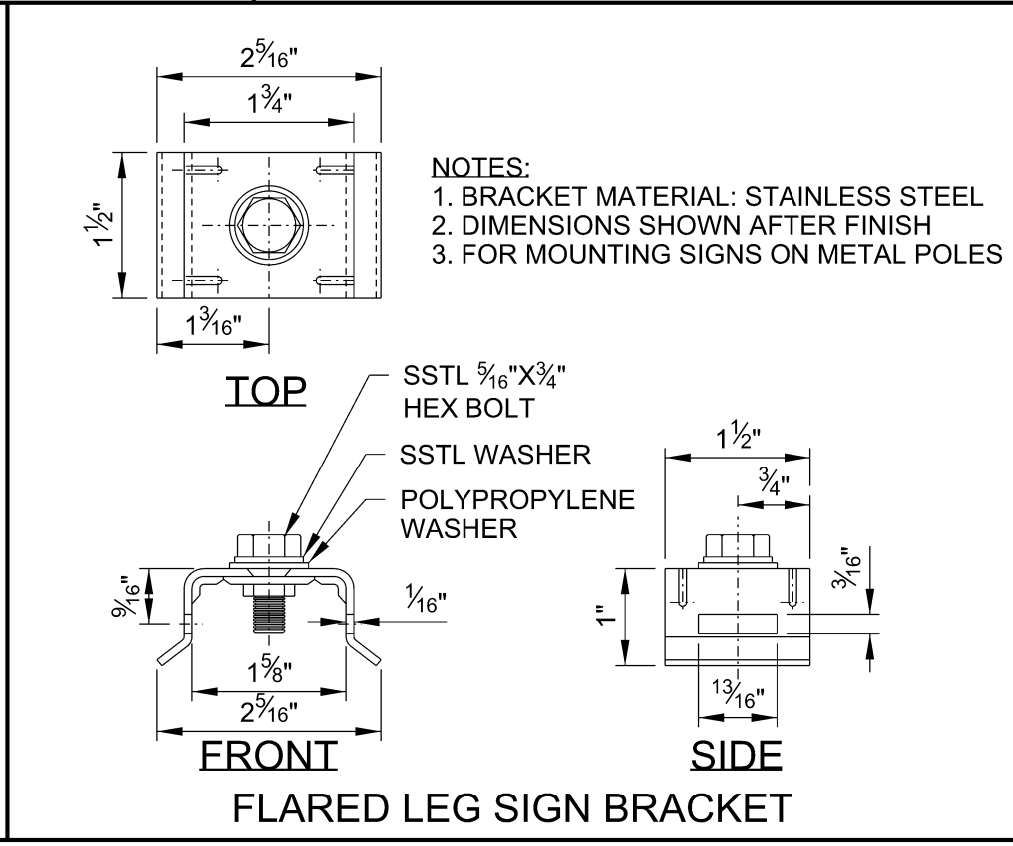
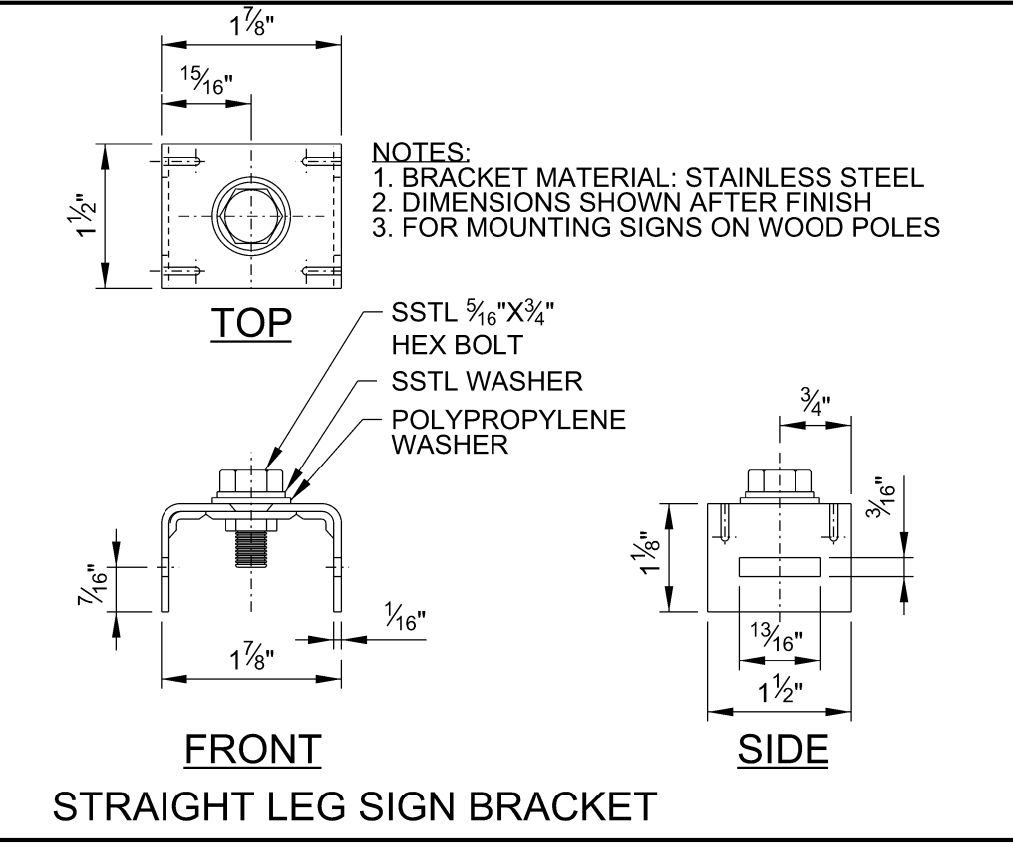
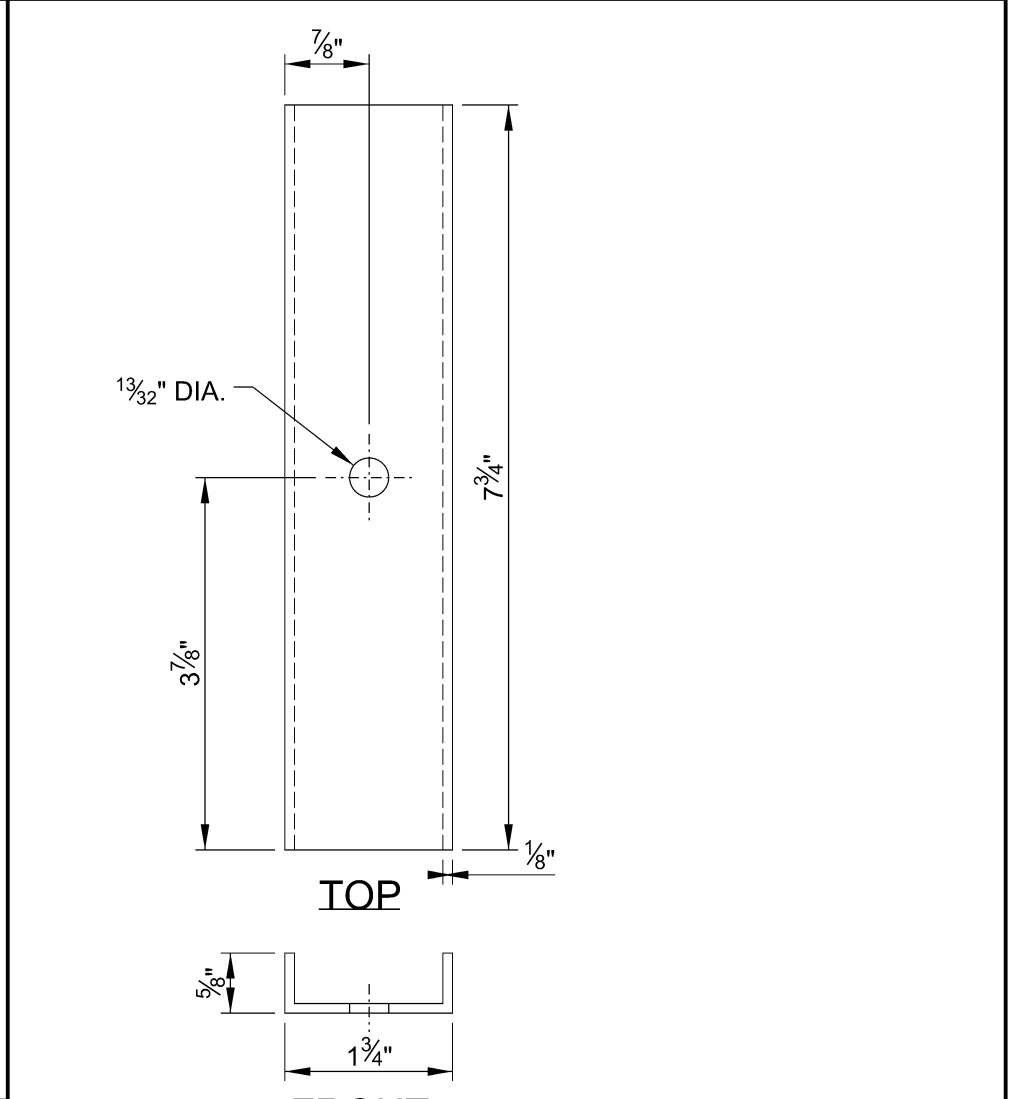
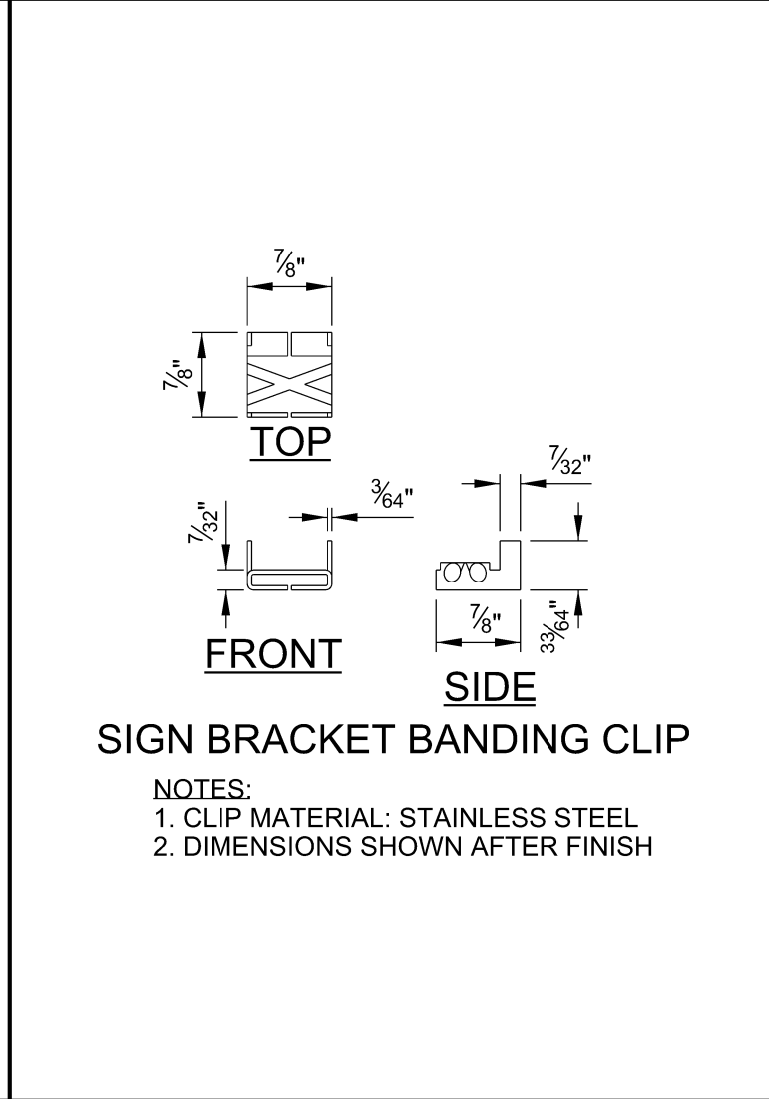
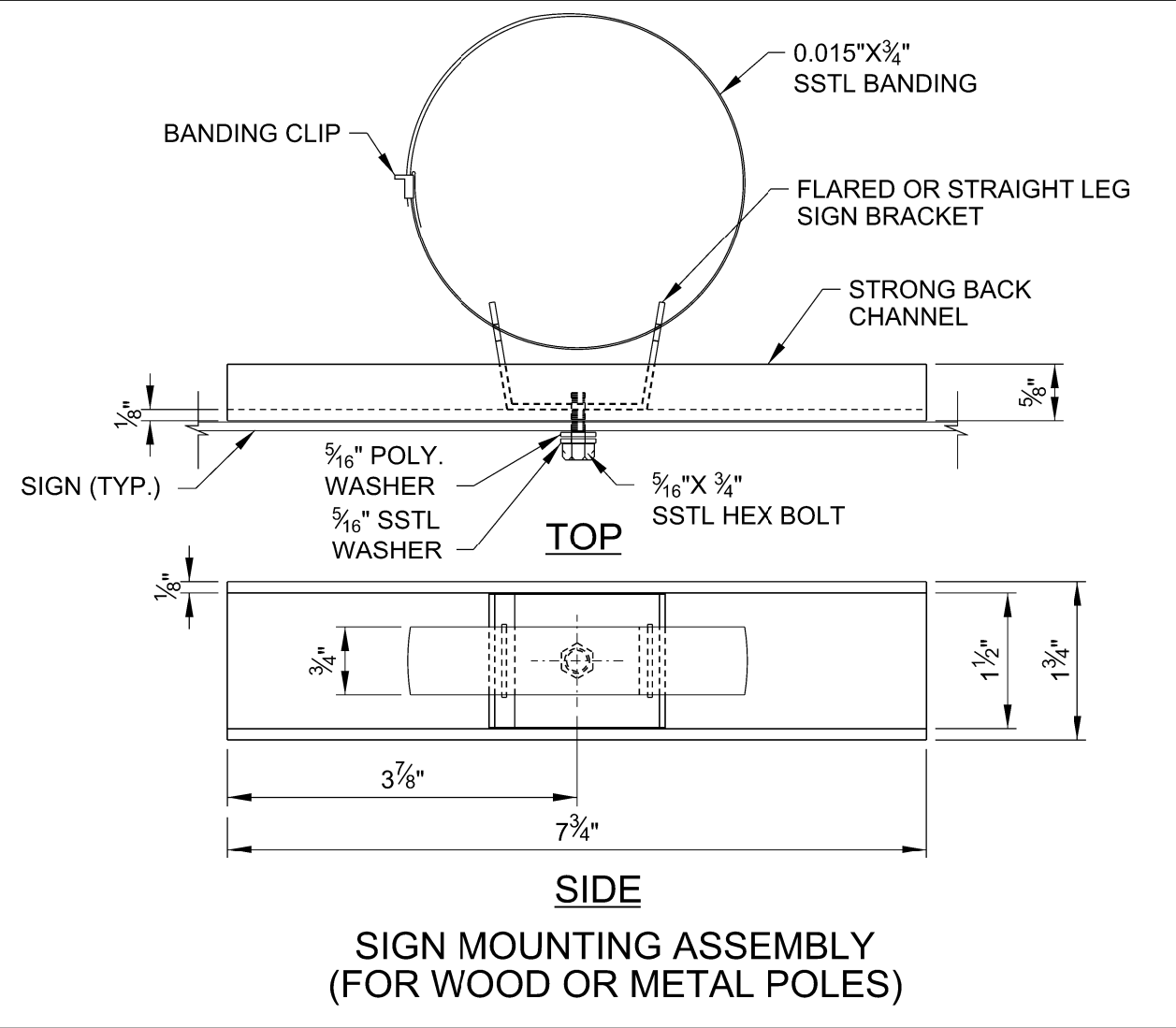


Plot Date: 4/18/2011 4:08:56 PM File: U:\vustation\DN\G\CTY OF PORTLAND - STANDARD DRAWINGS\SECTION DIVISIONS\3-STREETS\MICROSTATION\STD DRAWING NO P-411\PILOT_SHT_P-411.dgn



STRONG-BACK CHANNEL

NOTES:
 1. BRACKET MATERIAL: STAINLESS STEEL
 2. DIMENSIONS SHOWN AFTER FINISH
 3. FOR MOUNTING SIGNS ON METAL POLES

STRONG-BACK CHANNEL

The selection and use of this Standard Drawing, while designed in accordance with generally accepted engineering principles and practices, is the sole responsibility of the user.

BUREAU OF TRANSPORTATION CITY OF PORTLAND, OREGON <i>Steve Touman</i> Chief Engineer	
Standard Drawing Title	
SIGN BRACKET, STRONG-BACK DETAILS	
Note: All material and workmanship shall be in accordance with the City of Portland Standard Construction Specifications.	Effective Date: 03-17-11 Calc. Book No.: Baseline Report Date:
Standard Drawing No.	
P-411	