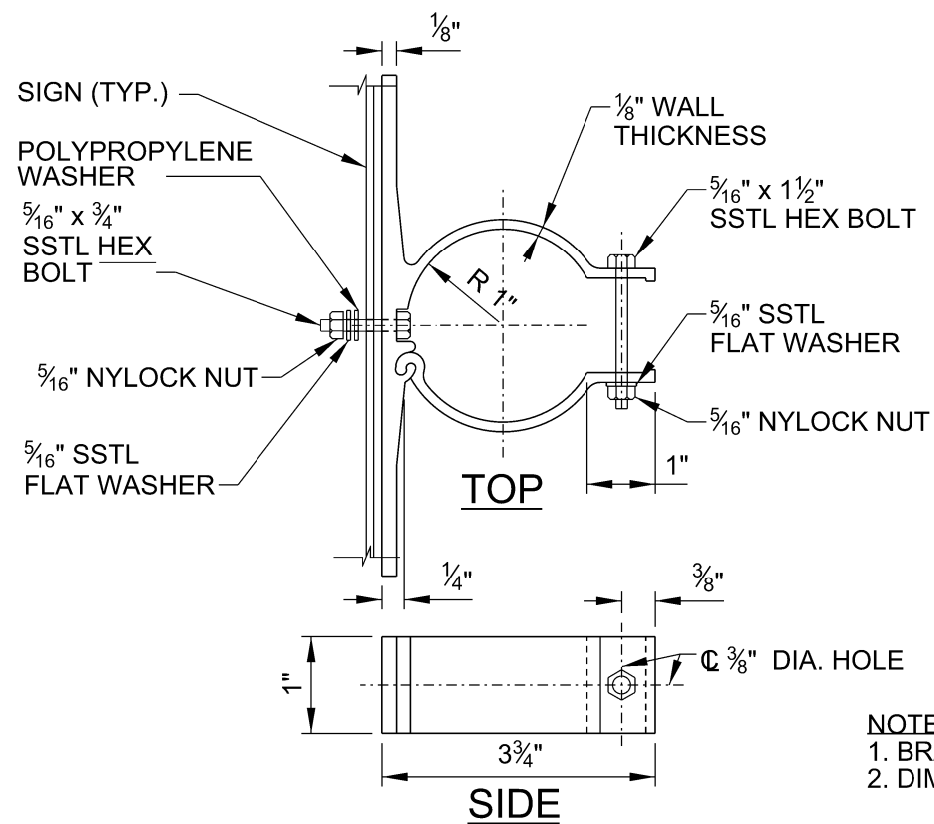
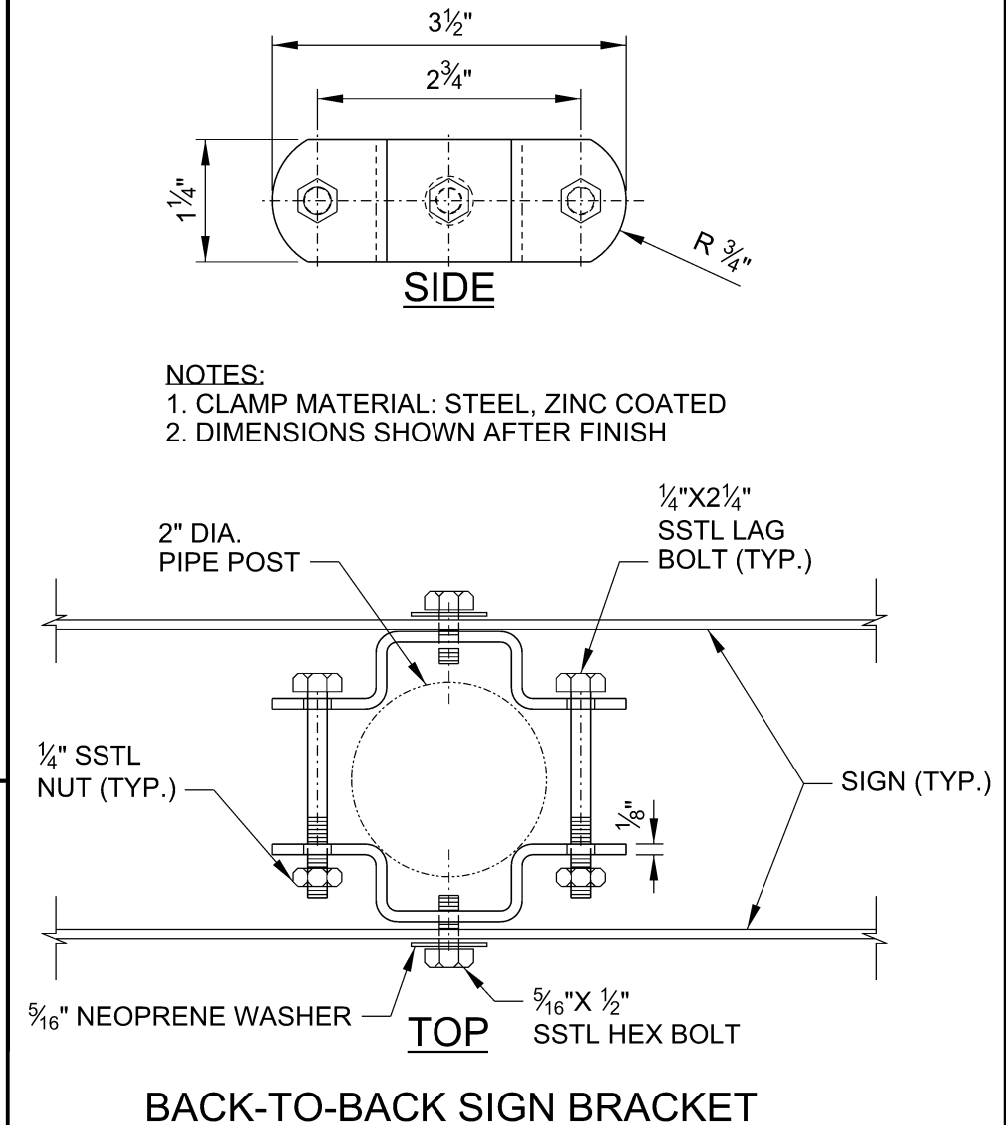
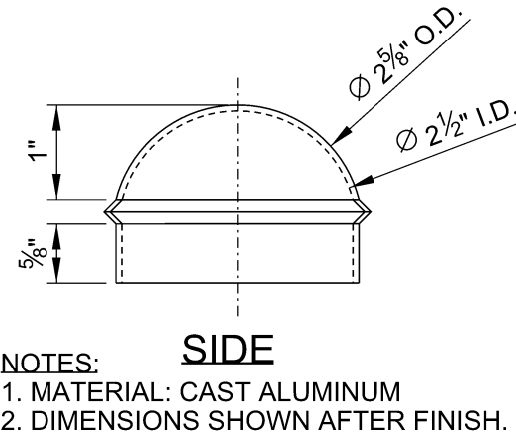
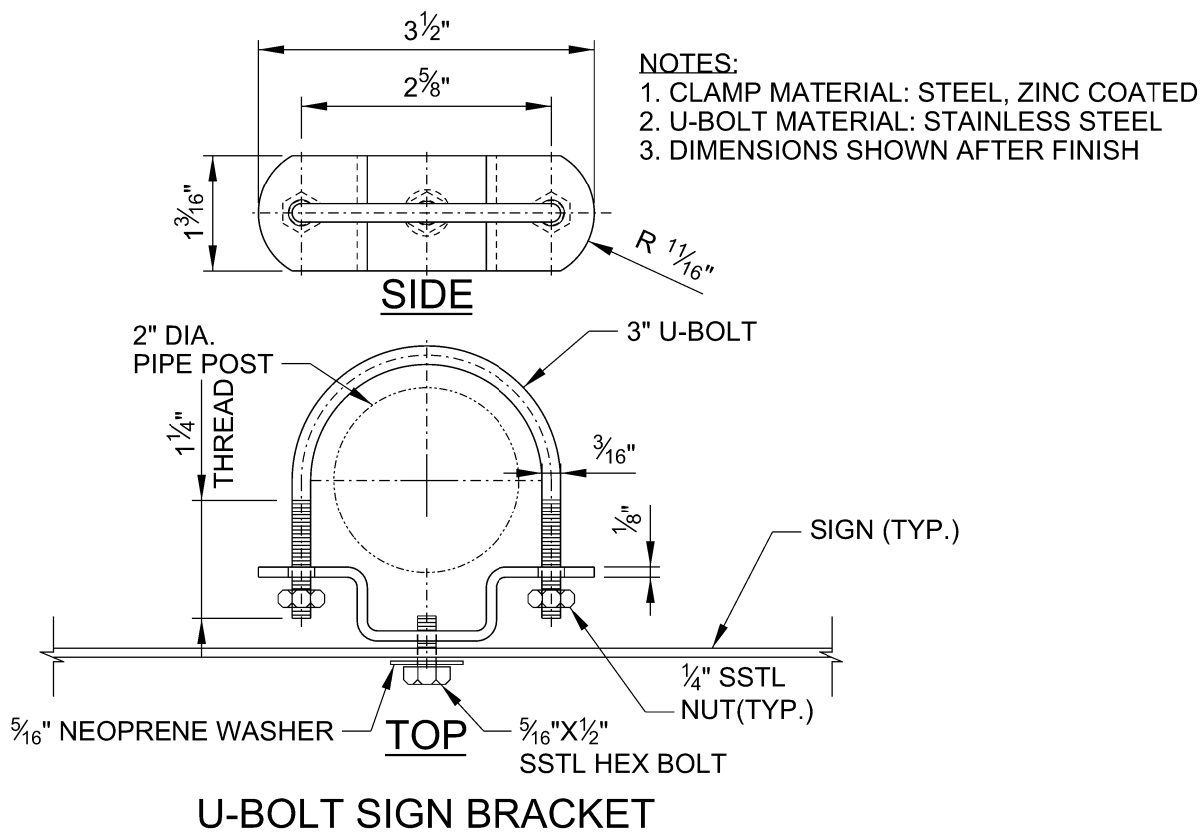


Plot Date: 4/18/2011 4:07:27 PM File: U:\vustation\DN\CITY OF PORTLAND - STANDARD DRAWINGS\SECTION DIVISIONS\3-STREETS\MICROSTATION\STD DRAWING NO. P-410\PLT\_SHT\_P-410.dgn



The selection and use of this Standard Drawing, while designed in accordance with generally accepted engineering principles and practices, is the sole responsibility of the user.



Standard Drawing Title  
**SIGN BRACKET, CAP DETAILS**

Note:  
 All material and workmanship shall be in accordance with the City of Portland Standard Construction Specifications.

Effective Date: 03-17-11	Standard Drawing No. <b>P-410</b>
Calc. Book No.:	
Baseline Report Date:	