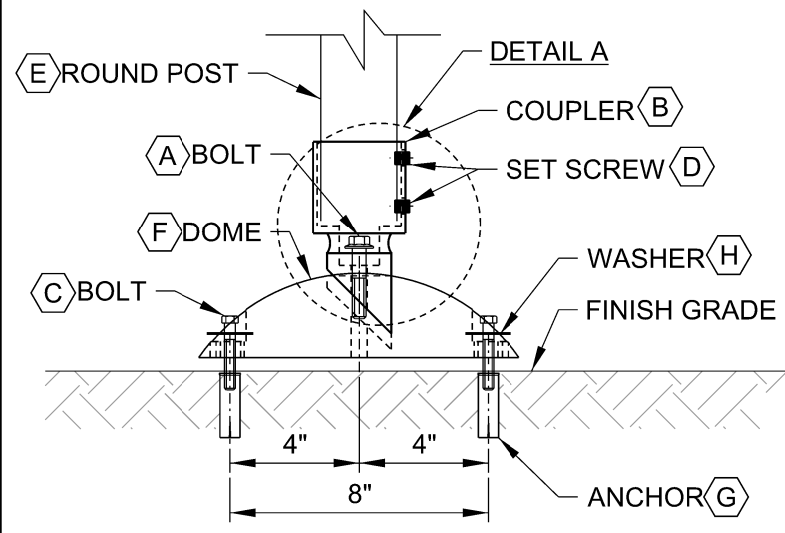
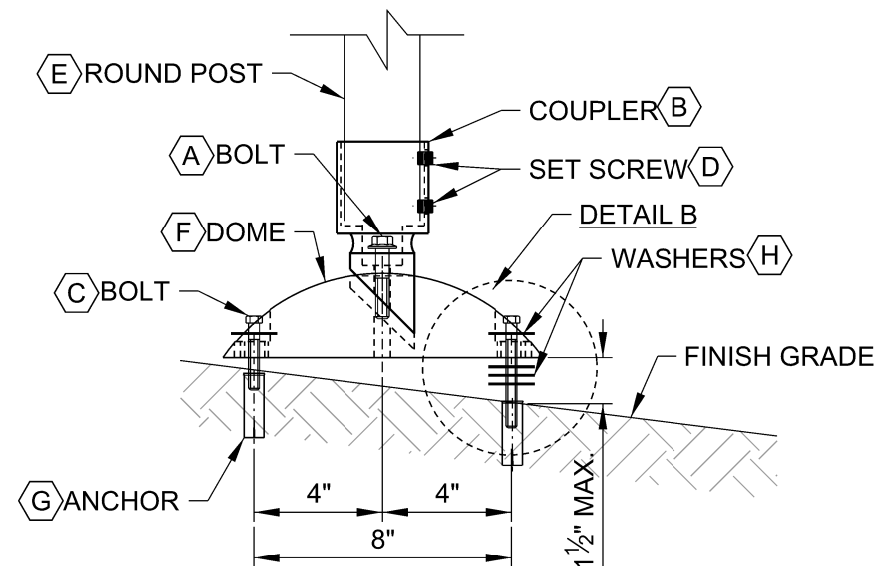


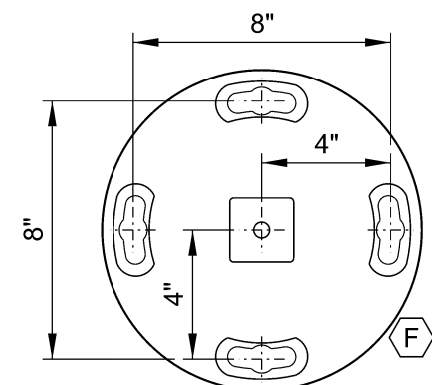
Plot Date: 4/18/2011 3:58:31PM File: U:\vustofion\DCM\CITY OF PORTLAND - STANDARD DRAWINGS\SECTION DIVISIONS\3-STREETS\MICROSTATION\STD DRAWING NO P-406\PLT_SHT_P-406_SIGN_PLACEMENT.dgn



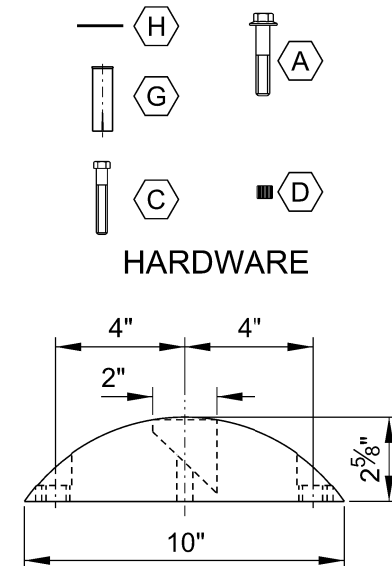
**BREAKAWAY DOME ASSEMBLY
- LEVEL GRADE INSTALLATION**



**BREAKAWAY DOME ASSEMBLY
- SLOPED GRADE INSTALLATION**

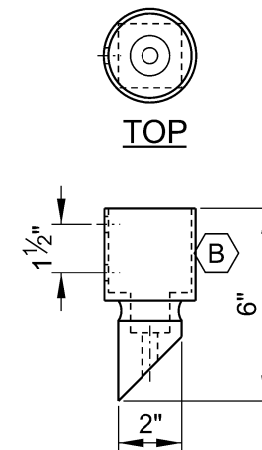


**TOP
DOME**

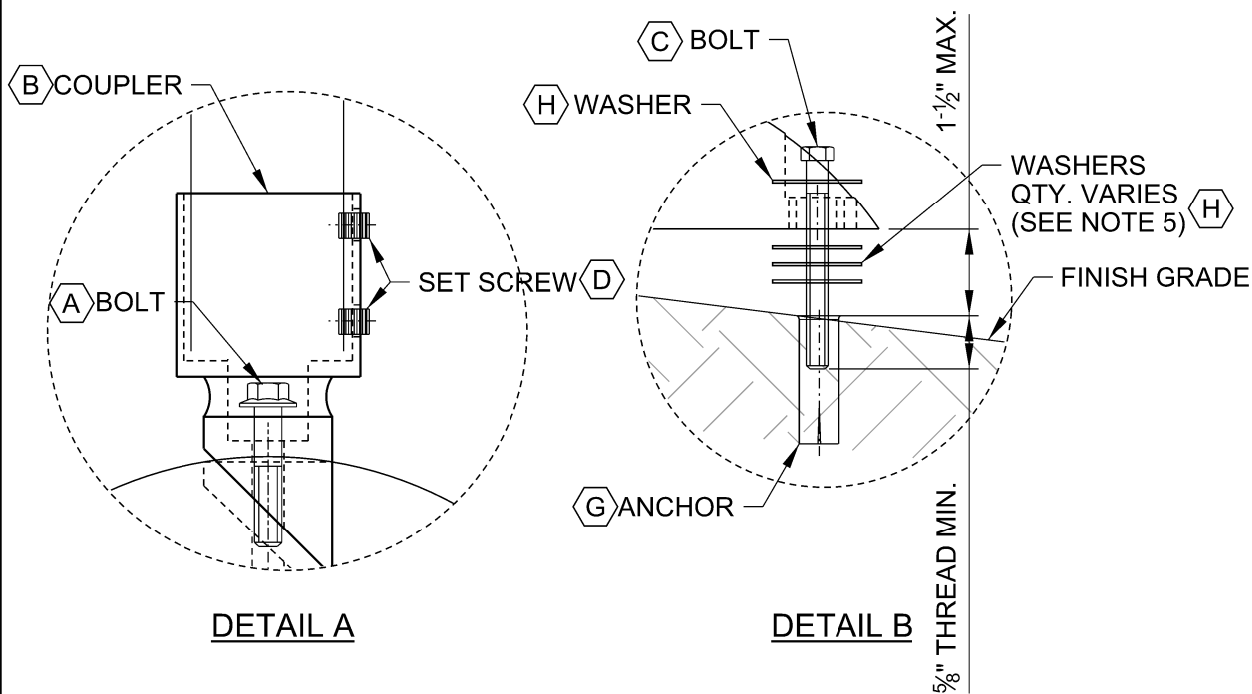


HARDWARE

FRONT



**FRONT
COUPLER**



DETAIL A


DETAIL B

ITEM NO.	DESCRIPTION	MATERIAL	QTY.
A	1/2" X 2 1/4" USS HEX HEAD BOLT	GRADE 8 GALV. STEEL	1
B	2 3/8" COUPLER TOP (ROUND)	CAST IRON	1
C	1/2" X 1 1/2" (MIN.) TO 3" (MAX.) USS HEX HEAD BOLT, 13 THREAD/INCH	GRADE 8 GALV. STEEL, ZINC FINISH	4
D	1/2" USS SET SCREW	STAINLESS STEEL	2
E	ROUND POST 2.375" O.D.	SCHEDULE 40 STEEL	1
F	ROUND DOME 10" DIA. X 2 5/8"	CAST ALUMINUM	1
G	1/2" X 2" USS ANCHOR, 13 THREAD/INCH, 5/8" O.D.	STAINLESS STEEL	4
H	1/2" USS FLAT WASHER	GALV. STEEL, ZINC FINISH	4 (MIN.)

BREAKAWAY DOME PARTS LIST

NOTES:

- FOR PIPE SIGN POST INSTALLATION IN SIDEWALK.
- CENTER BOLT 'A' AND SET SCREWS 'D' SHALL BE TIGHTENED SECURELY SUCH THAT THE ENTIRE ASSEMBLY IS TIGHT.
- THE ANCHOR HOLE SHALL BE DRILLED TO 5/8" DIAMETER. THE HOLE SHALL BE FREE OF DEBRIS BEFORE PLACING ANCHOR INTO HOLE.
- ANCHORS 'G' MUST BE PRE-SET WITH HAND SETTING TOOL PRIOR TO INSTALLING BREAKAWAY DOME. EPOXY SHALL NOT BE USED.
- FOR INSTALLATION ON SLOPED GRADES, LEVEL BREAKAWAY DOME BY STACKING WASHERS AS SHOWN SO THAT ENTIRE SIGN INSTALLATION IS PLUMB. USE LONGER BOLTS 'C' AS NECESSARY TO ACHIEVE MINIMUM ANCHOR PENETRATION WHERE LEVELING WASHER HEIGHT IS GREATER THAN 1/2-INCH, GROUT VOID BETWEEN SIDEWALK AND BREAKAWAY DOME. DO NOT INSTALL BREAKAWAY DOME SIGN SUPPORT IF LEVELING WASHER HEIGHT EXCEEDS 1-1/2 INCHES: CORE AND REPLACE SIDEWALK TO INSTALL BREAKAWAY ANCHOR SIGN SUPPORT INSTEAD.
- FOR OTHER INSTALLATION DETAILS FOLLOW MANUFACTURER'S INSTRUCTIONS.

The selection and use of this Standard Drawing, while designed in accordance with generally accepted engineering principles and practices, is the sole responsibility of the user.	 BUREAU OF TRANSPORTATION CITY OF PORTLAND, OREGON <i>Steve Touman</i> Chief Engineer	
	Standard Drawing Title BREAKAWAY DOME TRAFFIC SIGN SUPPORTS	
	Effective Date: 04-18-11 Calc. Book No.: Baseline Report Date:	Standard Drawing No. P-406

Note:
All material and workmanship shall be in accordance with the City of Portland Standard Construction Specifications.