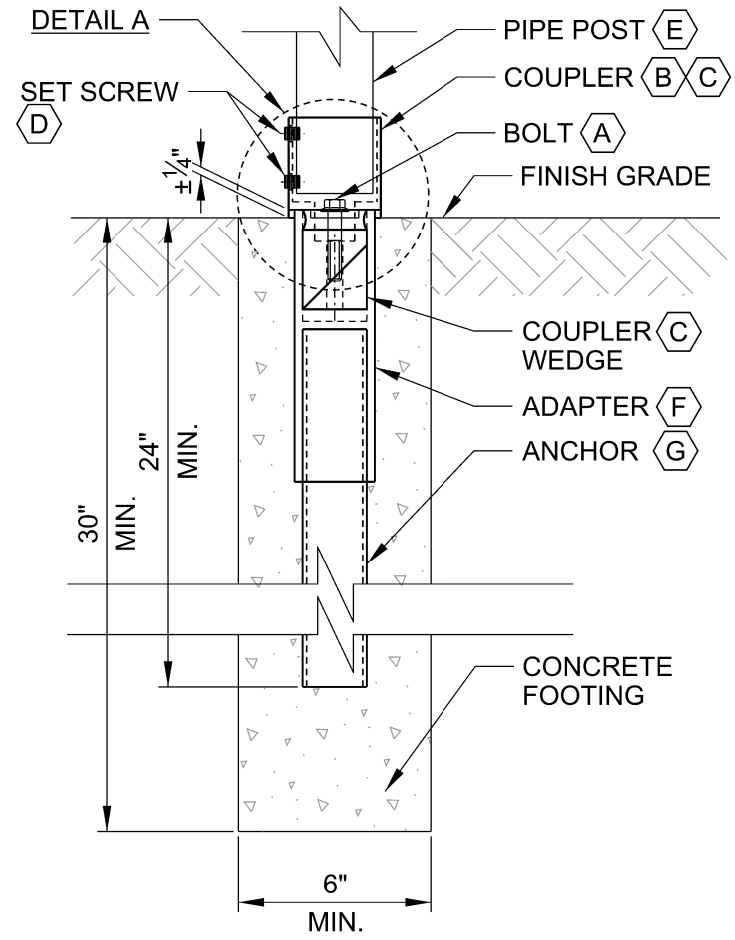
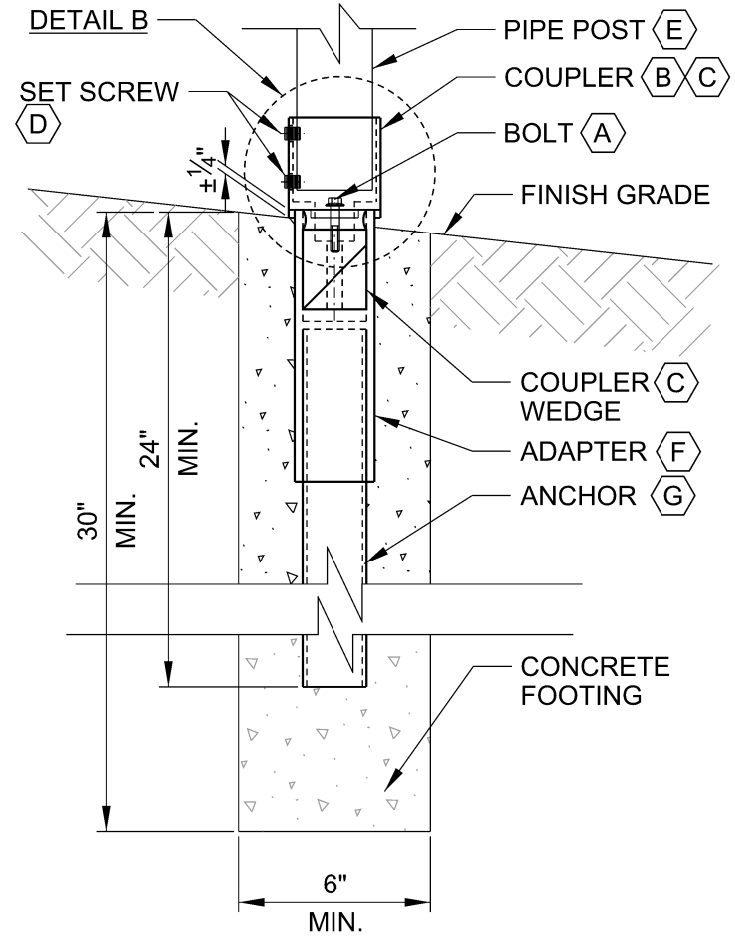


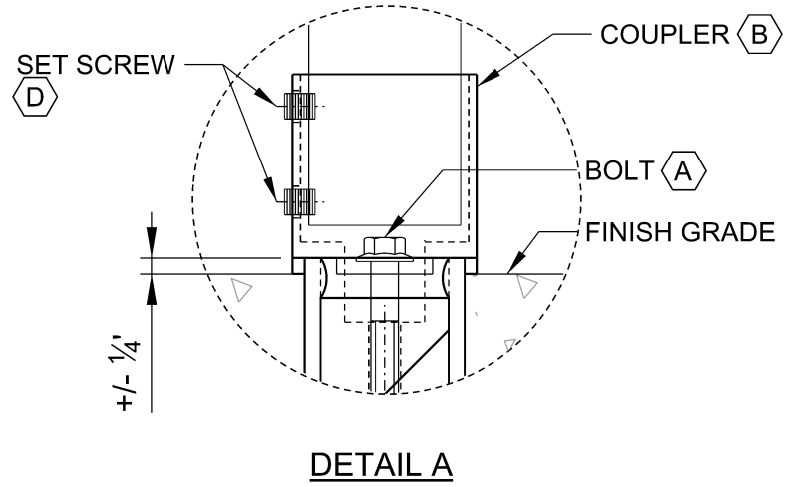
Plot Date: 4/18/2011 3:57:02 PM Filename: U:\vustofion\DN\CDTY OF PORTLAND - STANDARD DRAWINGS\SECTION DIVISIONS\3-STREETS\MICROSTATIONS\STD DRAWING NO P-405\PLT_SHT_P-405_SIGN_PLACEMENT.dgn



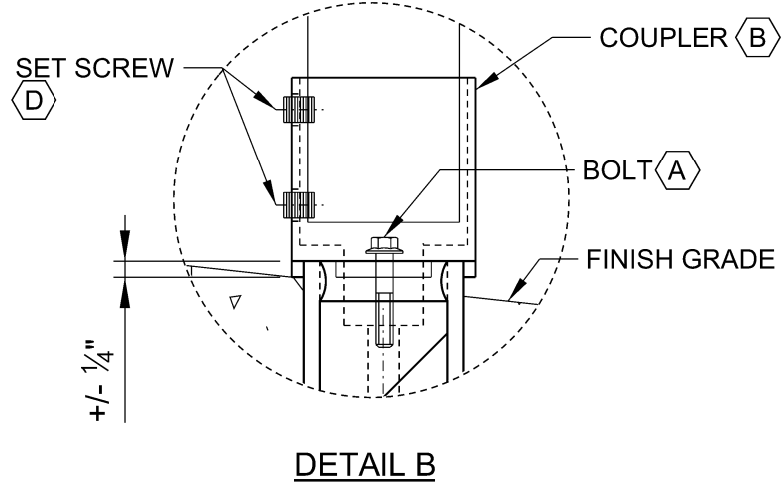
**BREAKAWAY ANCHOR ASSEMBLY
LEVEL GRADE INSTALLATION**



**BREAKAWAY ANCHOR ASSEMBLY
SLOPED GRADE INSTALLATION**

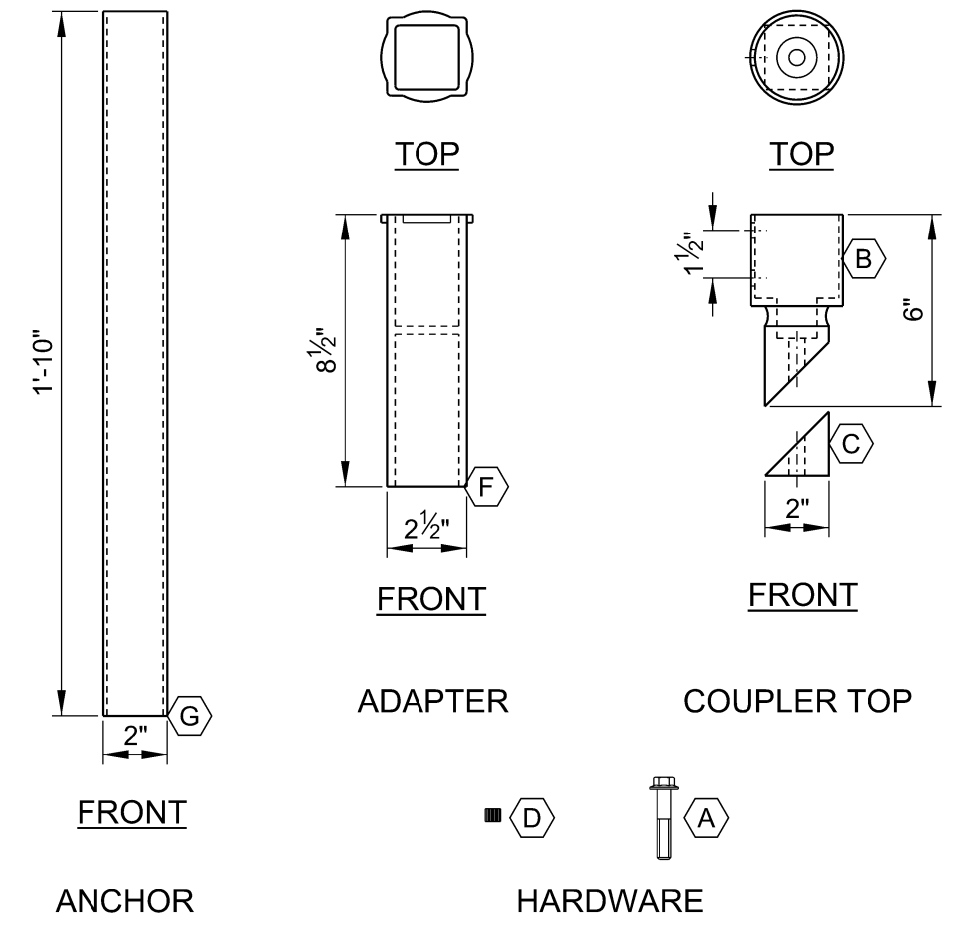


DETAIL A




DETAIL B

- NOTES:**
1. FOR PIPE SIGN POST INSTALLATION IN EARTH.
 2. CENTER BOLT 'A' AND SET SCREWS 'D' SHALL BE TIGHTENED SECURELY SUCH THAT THE ENTIRE ASSEMBLY IS TIGHT.
 3. FOR LEVEL INSTALLATIONS:
 - THE ANCHOR 'G' AND ADAPTER 'F' SHALL BE PLACED SUCH THAT THE BOTTOM OF THE LIP SURROUNDING THE TOP OF ADAPTER IS AT FINISH GRADE.
 4. FOR SLOPED INSTALLATIONS:
 - THE ANCHOR 'G' SHALL BE PLACED AT TOP OF FINISH GRADE RELATIVE TO THE UPPER SIDE OF THE SLOPE SUCH THAT NO PART OF THE ANCHOR IS BELOW FINISH GRADE AT ANY POINT.
 5. EXTREME CARE SHALL BE TAKEN TO ENSURE THE ANCHOR ASSEMBLY IS PLACED VERTICALLY IN THE GROUND. THE ENTIRE SIGN INSTALLATION SHALL BE PLUMB AND TIGHT WHEN INSTALLATION IS COMPLETE.
 6. FOR OTHER INSTALLATION DETAILS FOLLOW MANUFACTURER'S INSTRUCTIONS.



ITEM NO.	DESCRIPTION	MATERIAL	QTY
(A)	1/2" X 2 1/4" USS HEX HEAD BOLT	GRADE 8 GALV. STEEL	1
(B)	2 3/8" COUPLER TOP (ROUND)	CAST IRON	1
(C)	COUPLER WEDGE (2")	CAST IRON	1
(D)	1/2" USS SET SCREW	STAINLESS STEEL	2
(E)	ROUND POST 2.375" O.D.	SCHEDULE 40 STEEL	1
(F)	ADAPTER 2.5" O.D. X 8.5"	CAST IRON	1
(G)	ANCHOR 2.0" O.D. X 22"	STEEL	1

BREAKAWAY ANCHOR PARTS LIST

The selection and use of this Standard Drawing, while designed in accordance with generally accepted engineering principles and practices, is the sole responsibility of the user.	BUREAU OF TRANSPORTATION CITY OF PORTLAND, OREGON  Chief Engineer	
	Standard Drawing Title BREAKAWAY ANCHOR TRAFFIC SIGN SUPPORTS	
	Effective Date: 04-18-11 Calc. Book No.: Baseline Report Date:	Standard Drawing No. P-405