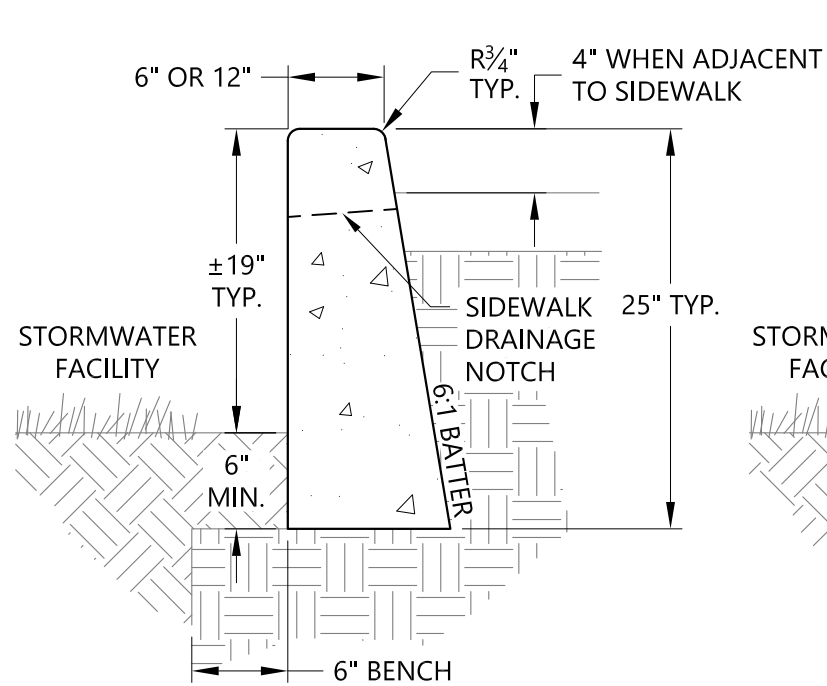
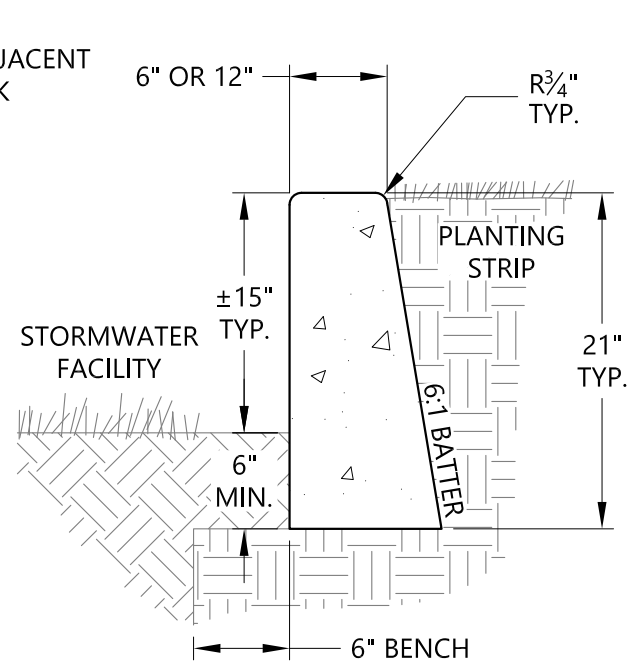


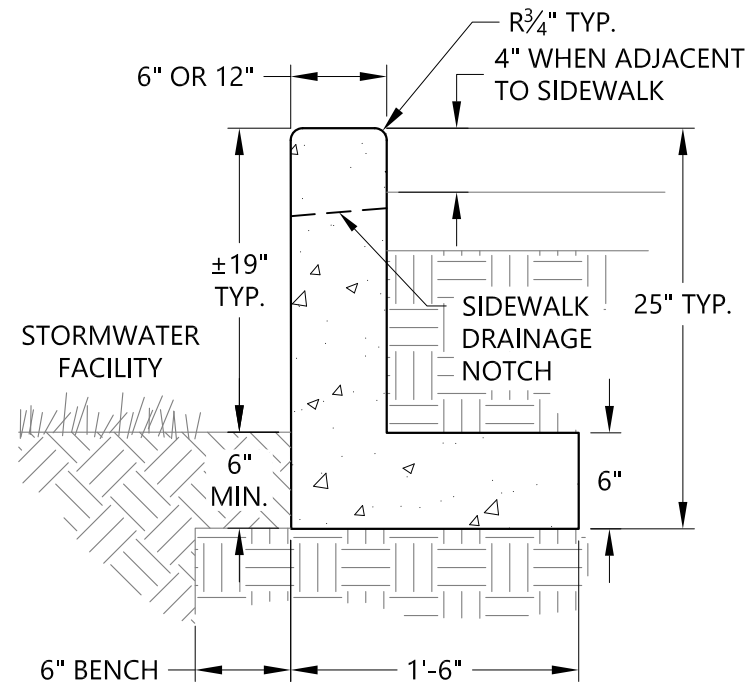
P-307_PLANTER_WALLS.DWG 8/24/20 7:46 AM DANPE



PLANTER WALL A
(ADJACENT TO SIDEWALK)



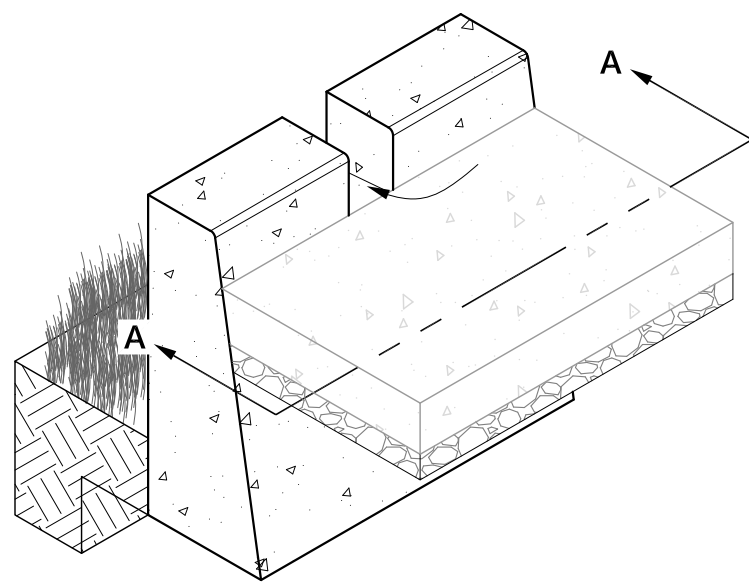
PLANTER WALL B
(ADJACENT TO PLANTER STRIP)



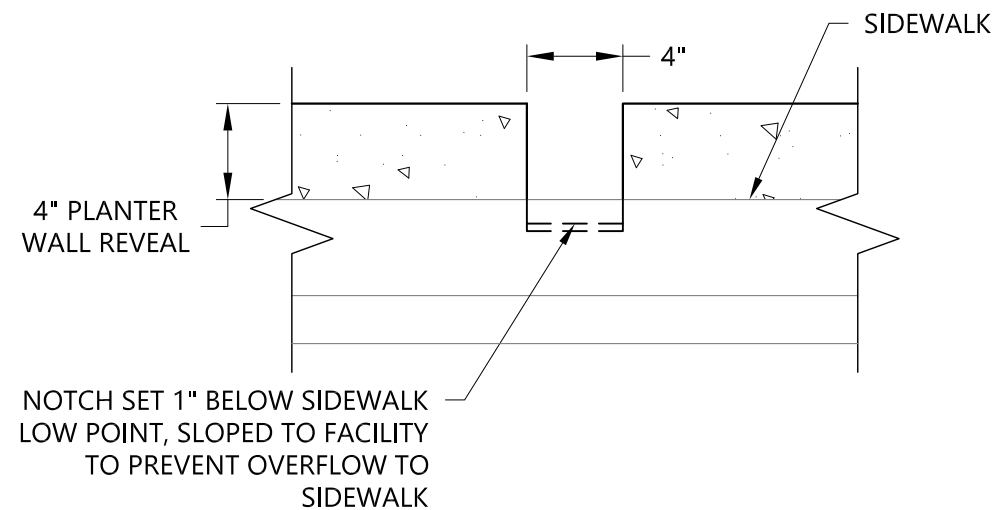
PLANTER WALL C
(ADJACENT TO SIDEWALK)

NOTES:

1. MAINTAIN 6:1 BATTER FOR WALLS AND 4" FROM TOP OF WALL TO TOP OF SIDEWALK.
2. FINISH ALL EXPOSED CONCRETE SURFACES. SEE SPECIFICATIONS.
3. REFER TO CITY OF PORTLAND STANDARD DRAWING P-340 FOR LINER ATTACHMENT, IF REQUIRED.
4. 12" WIDE PLANTER WALLS MAY BE REQUIRED FOR SOME FACILITIES. PLANTER WALLS TYPICALLY 6" WIDE UNLESS OTHERWISE SPECIFIED.
5. PLACE ONE NOTCH AT LOWEST SIDEWALK ELEVATION. SPACE ADDITIONAL NOTCHES APPROXIMATELY 6 FEET APART O.C.
6. DO NOT PLACE NOTCH IF THE ELEVATION WILL BE BELOW THE OUTLET ELEVATION TO AVOID OVERFLOW TO SIDEWALK.



SIDEWALK DRAINAGE NOTCH PERSPECTIVE



SECTION A-A

<p>The selection and use of this Standard Drawing, while designed in accordance with generally accepted engineering principles and practices, is the sole responsibility of the user.</p>	<p>Bureau of Environmental Services CITY OF PORTLAND, OREGON</p> <p style="text-align: right;">_____ Chief Engineer</p>	
	<p>STANDARD DRAWING Title</p> <p style="text-align: center;">PLANTER WALLS</p>	
	<p>Effective Date: 07-31-20</p> <p>Calc. Book No.: N/A</p> <p>Baseline Report Date: N/A</p>	<p>Standard Drawing No.</p> <p style="text-align: center;">P-307</p>

Note:
All material and workmanship shall be in accordance with the City of Portland Standard Construction Specifications.