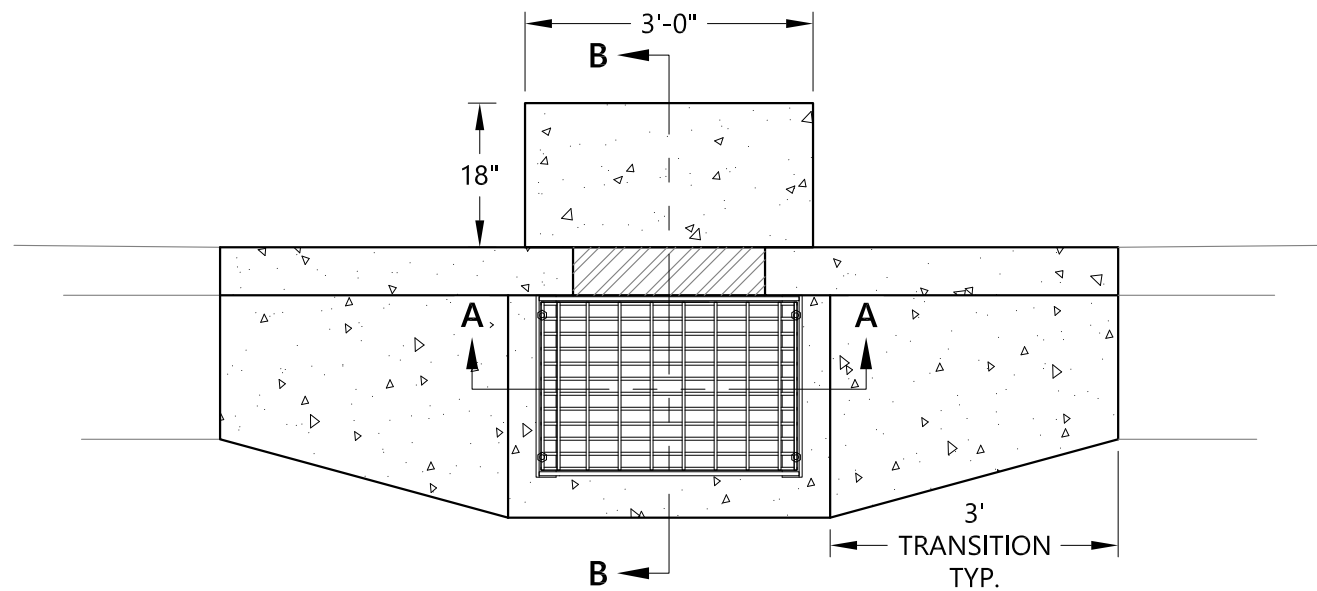
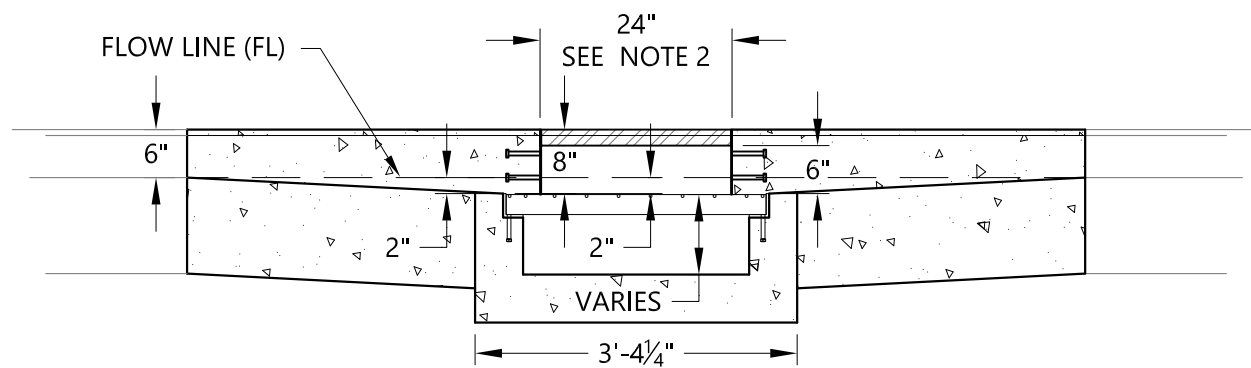


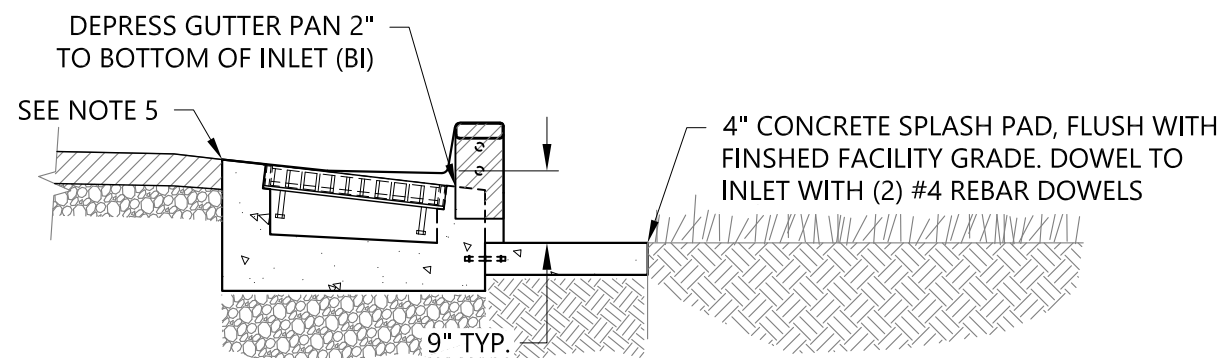
P-305_CONCRETE_INLET_TYPE_METAL_WITH_G-1_OR_G-2_GRATE.DWG 8/24/20 7:43 AM DANPE



PLAN



SECTION A-A



SECTION B-B

NOTES:

1. REFER TO ODOT STANDARD DRAWINGS RD363, RD364 AND RD365 FOR ADDITIONAL INFORMATION ON G-1/G-2 INLETS.
2. REFER TO CITY OF PORTLAND STANDARD DRAWINGS P-300 FOR CONCRETE INLET, TYPE METAL AND P-302 FOR METAL INLET ASSEMBLY.
3. G-2 INLET MAY BE USED FOR FACILITIES NOT ADJACENT TO BIKE LANES.
4. REFER TO CITY OF PORTLAND STANDARD DRAWING P-540 FOR 18" THICKENED CURB AND GUTTER.
5. SMOOTH TRANSITION TO ENSURE WATER FLOWS INTO GUTTER.

<p>The selection and use of this Standard Drawing, while designed in accordance with generally accepted engineering principles and practices, is the sole responsibility of the user.</p>	<p>Bureau of Environmental Services CITY OF PORTLAND, OREGON</p> <p style="text-align: right;">_____ Chief Engineer</p>	
	<p>STANDARD DRAWING Title</p> <p style="text-align: center;">CONCRETE INLET, TYPE METAL WITH G-1 OR G-2 GRATE</p>	
<p>Note: All material and workmanship shall be in accordance with the City of Portland Standard Construction Specifications.</p>	<p>Effective Date: 07-31-20</p>	<p>Standard Drawing No.</p> <p style="text-align: center; font-size: 1.5em;">P-305</p>
	<p>Calc. Book No.: N/A</p>	
	<p>Baseline Report Date: N/A</p>	