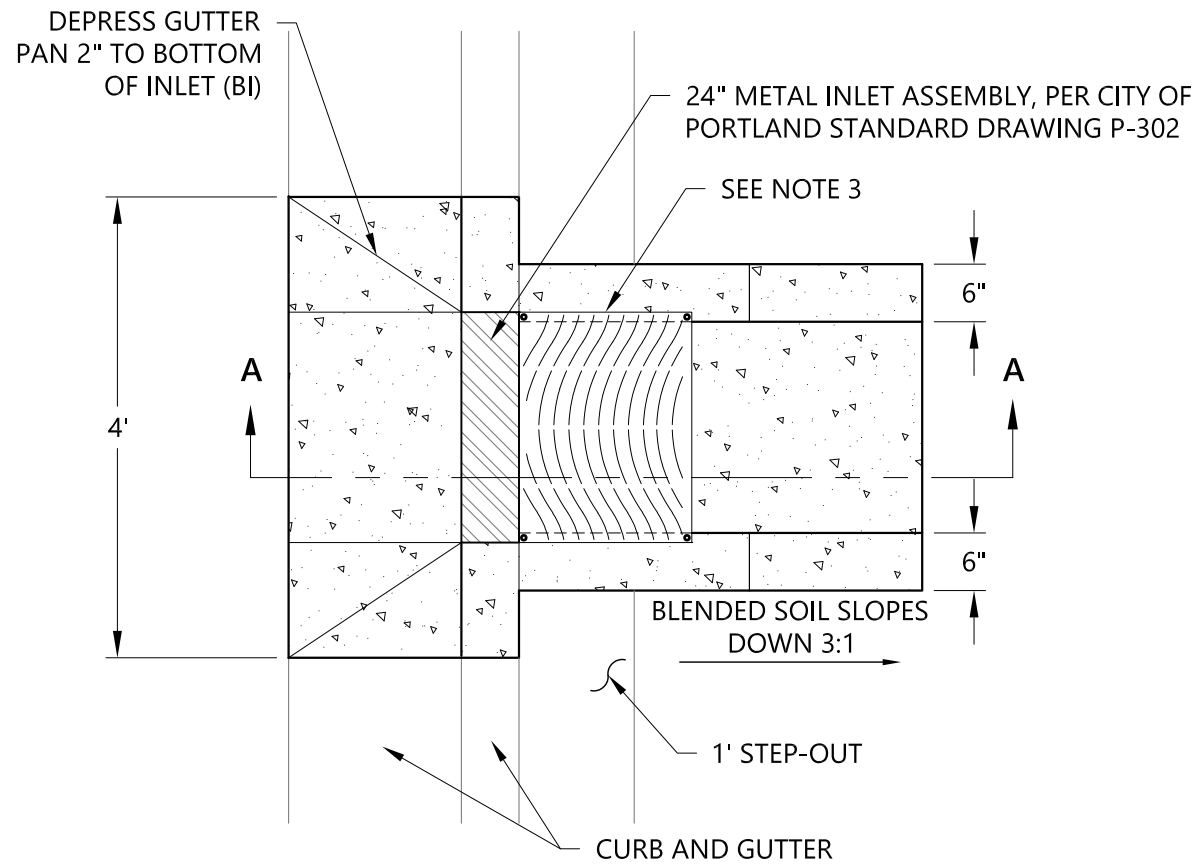
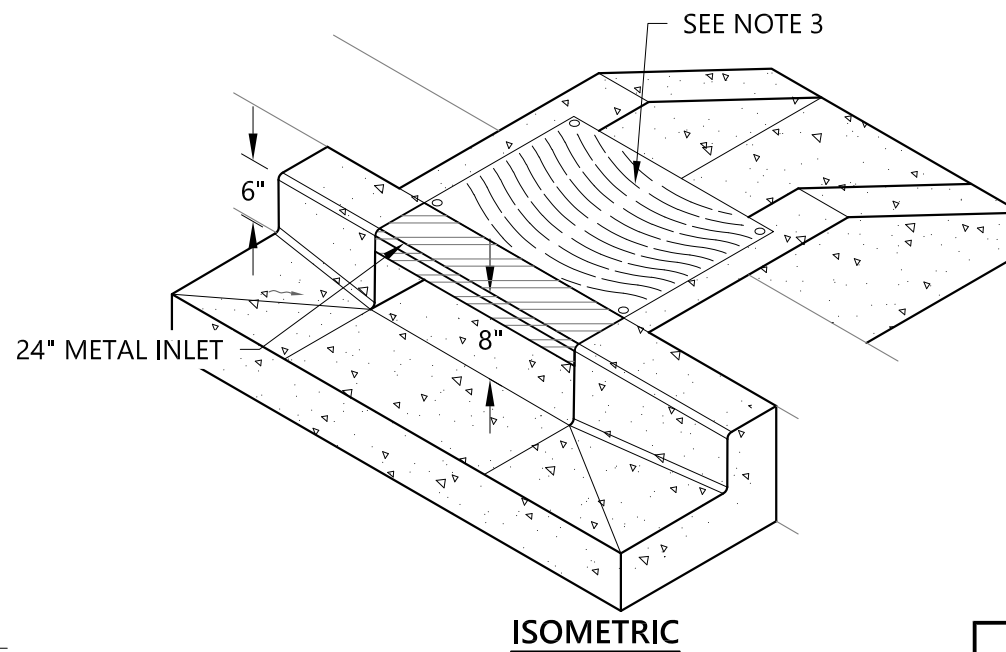


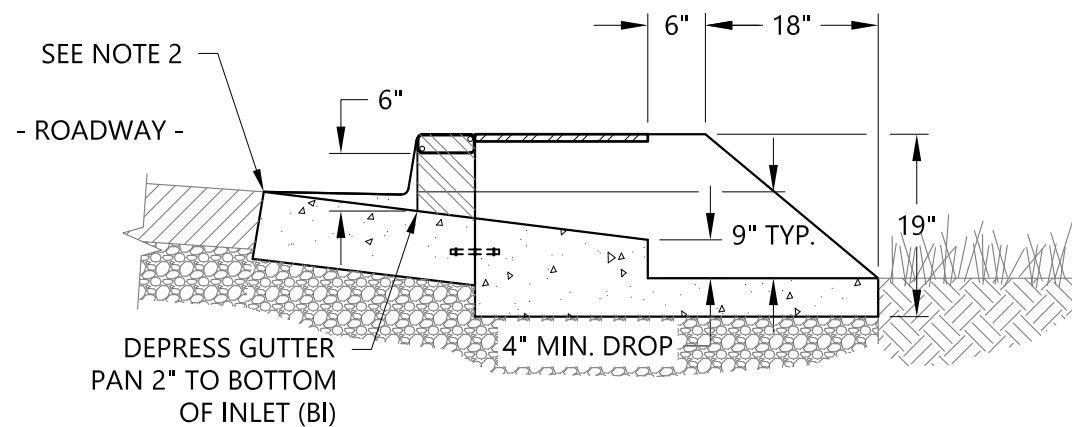
P-304\_CONCRETE\_INLET\_TYPE\_METAL\_WITH\_CHANNEL\_AND\_GRATE\_(1\_STEP-OUT).DWG 8/24/20 7:44 AM DANPE



**PLAN VIEW**




**ISOMETRIC**



**SECTION A-A**

**NOTES:**

1. REFER TO CITY OF PORTLAND STANDARD DRAWING P-540 FOR MODIFIED CURB AND GUTTER.
2. SMOOTH TRANSITION TO ENSURE WATER FLOWS INTO GUTTER.
3. CHANNEL GRATE AND FRAME:
  - 3.1. OLYMPIC FOUNDRY INC. SM50 18"x24" "TWS" ADA GRATE WITH FRAME, OR APPROVED EQUAL.
  - 3.2. CAST IRON WITH NATURAL FINISH.
  - 3.3. RATED FOR H-20 LOADING.
  - 3.4. ADA COMPLIANT.
  - 3.5. BOLT GRATE TO FRAME IN TWO OPPOSITE CORNERS. COUNTERSINK, DRILL AND TAP SS 6-SIDED HEX HEAD BOLT.
  - 3.6. BOLTS TO HAVE ANTI-SEIZE THREADED LUBRICANT APPLIED AT INSTALLATION.

<p>The selection and use of this Standard Drawing, while designed in accordance with generally accepted engineering principles and practices, is the sole responsibility of the user.</p>	 <p>Bureau of Environmental Services CITY OF PORTLAND, OREGON</p> <p>Chief Engineer</p>	
	<p>STANDARD DRAWING Title</p> <p><b>CONCRETE INLET, TYPE METAL WITH CHANNEL AND GRATE (1 FT STEP-OUT)</b></p>	
<p>Note: All material and workmanship shall be in accordance with the City of Portland Standard Construction Specifications.</p>	<p>Effective Date: 07-31-20</p>	<p>Standard Drawing No.</p> <p><b>P-304</b></p>
	<p>Calc. Book No.: N/A</p>	
	<p>Baseline Report Date: N/A</p>	