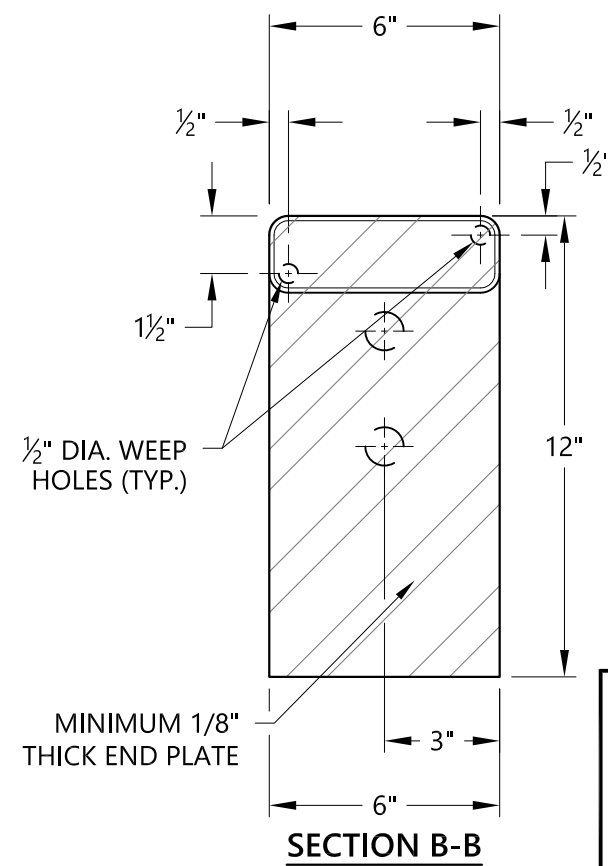
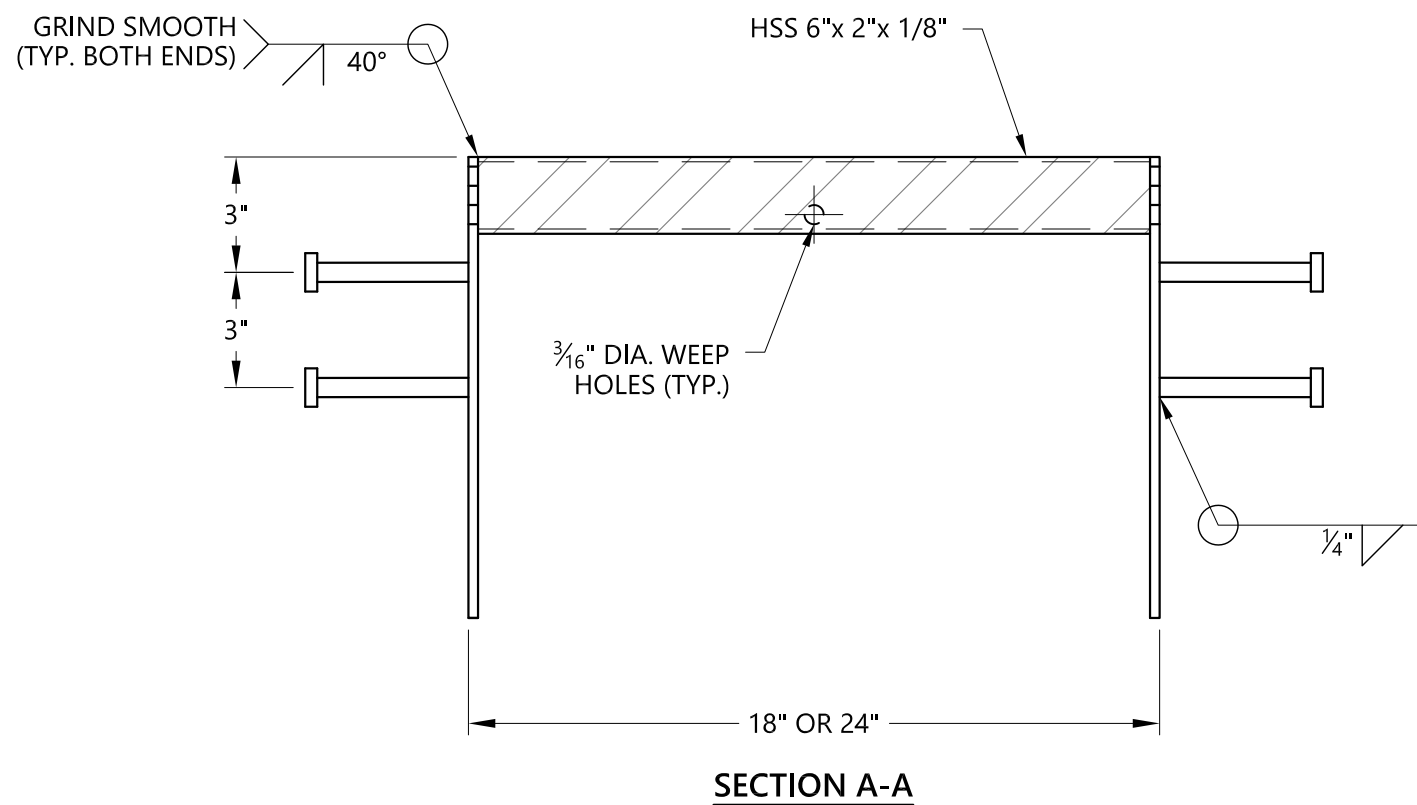
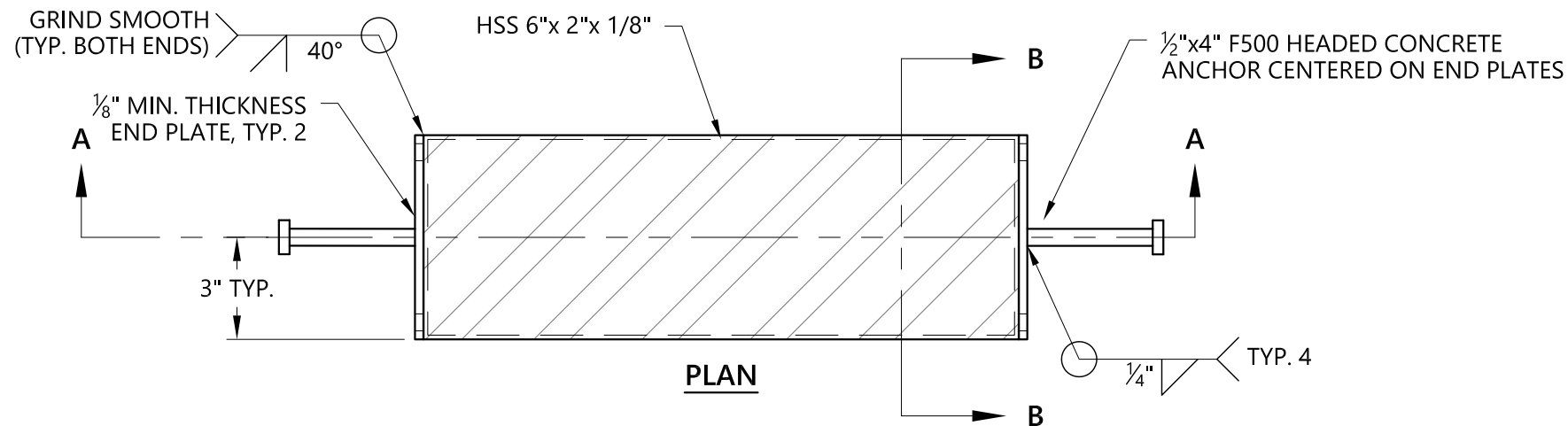


P-302_CONCRETE_INLET_TYPE_METAL_METAL_INLET_ASSEMBLY.DWG 8/24/20 7:45 AM DANPE



NOTES:

1. HEADED CONCRETE ANCHORS SHALL MEET THE REQUIREMENTS OF ASTM A-108.
2. HSS 6 X 2 X 1/8 TUBE SHALL MEET THE REQUIREMENTS OF ASTM A-500 GRADE B.
3. END PLATES SHALL MEET THE REQUIREMENTS OF ASTM A-36.
4. ENTIRE ASSEMBLY SHALL BE GALVANIZED IN ACCORDANCE WITH ASTM A-123.

The selection and use of this Standard Drawing, while designed in accordance with generally accepted engineering principles and practices, is the sole responsibility of the user.

Note:
All material and workmanship shall be in accordance with the City of Portland Standard Construction Specifications.



Bureau of Environmental Services
CITY OF PORTLAND, OREGON

Chief Engineer

STANDARD DRAWING Title

CONCRETE INLETS, TYPE METAL
METAL INLET ASSEMBLY

Effective Date: 07-31-20

Calc. Book No.: N/A

Baseline Report Date: N/A

Standard Drawing No.

P-302