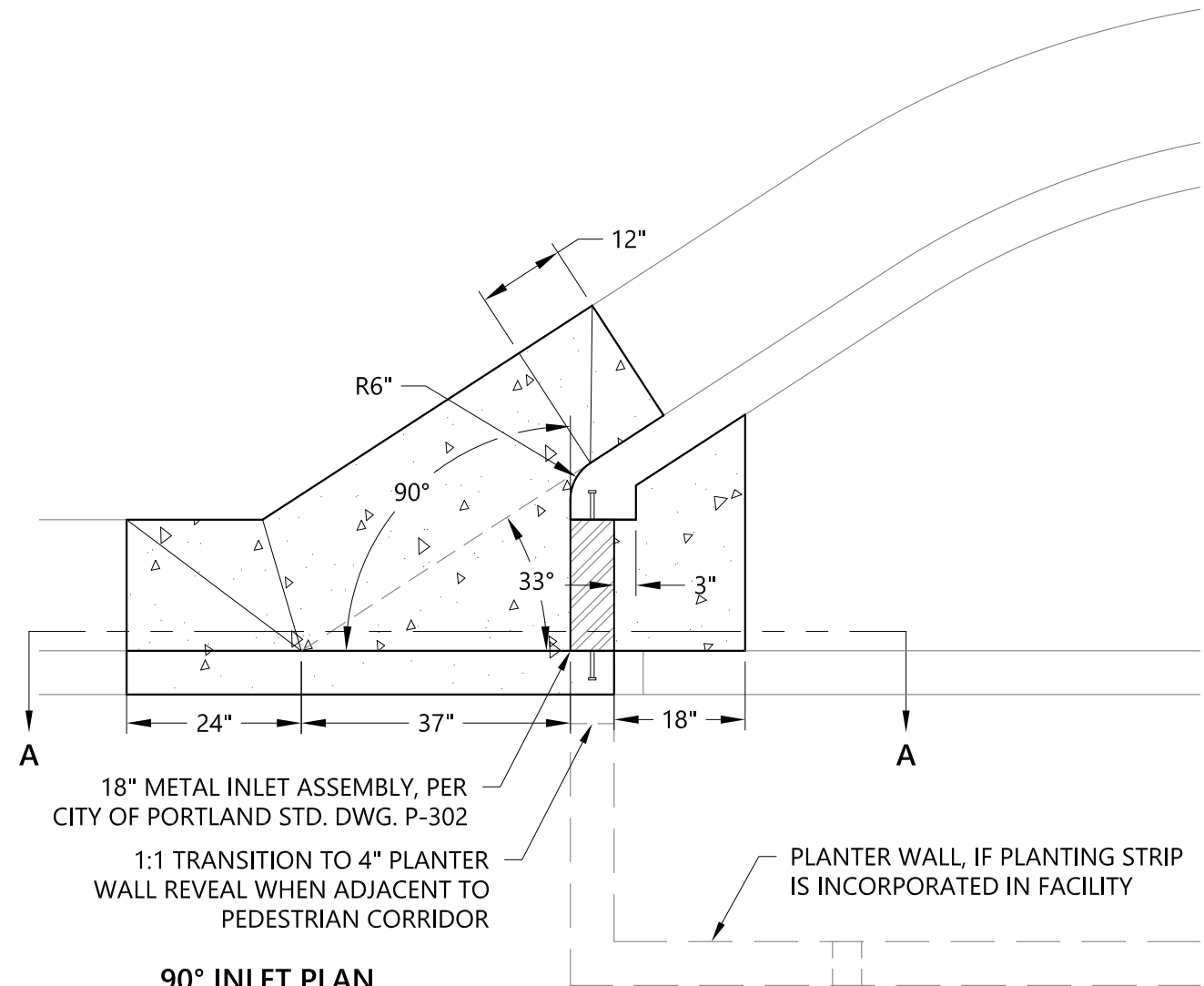


P-301_CONCRETE_INLET_TYPE_METAL_(ROTATED).DWG 8/24/20 7:45 AM DANPE

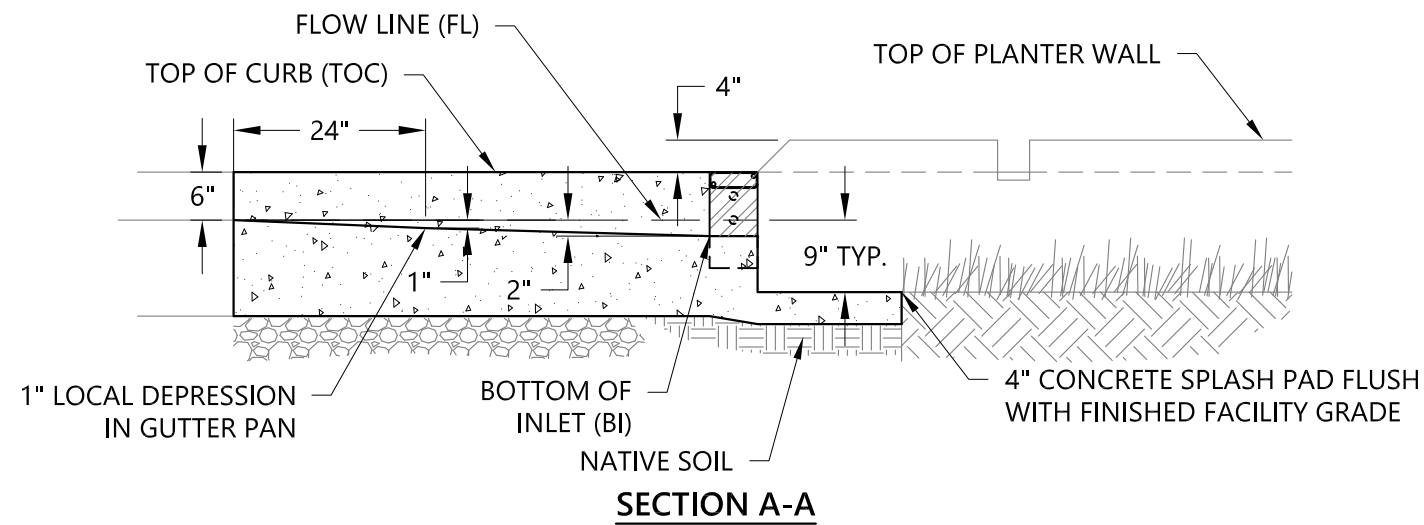


18" METAL INLET ASSEMBLY, PER CITY OF PORTLAND STD. DWG. P-302

1:1 TRANSITION TO 4" PLANTER WALL REVEAL WHEN ADJACENT TO PEDESTRIAN CORRIDOR

PLANTER WALL, IF PLANTING STRIP IS INCORPORATED IN FACILITY


90° INLET PLAN
(6' CURB EXTENSION WITH PLANTER SHOWN)



SECTION A-A

NOTES:

1. REFER TO CITY OF PORTLAND STANDARD DRAWING P-540 FOR 18" THICKENED CURB AND GUTTER.

<p>The selection and use of this Standard Drawing, while designed in accordance with generally accepted engineering principles and practices, is the sole responsibility of the user.</p>	 <p>Bureau of Environmental Services CITY OF PORTLAND, OREGON</p> <p>_____ Chief Engineer</p>	
	<p>STANDARD DRAWING Title</p> <p>CONCRETE INLET, TYPE METAL (ROTATED)</p>	
<p>Note: All material and workmanship shall be in accordance with the City of Portland Standard Construction Specifications.</p>	<p>Effective Date: 07-31-20</p>	<p>Standard Drawing No.</p> <p>P-301</p>
	<p>Calc. Book No.: N/A</p>	
	<p>Baseline Report Date: N/A</p>	