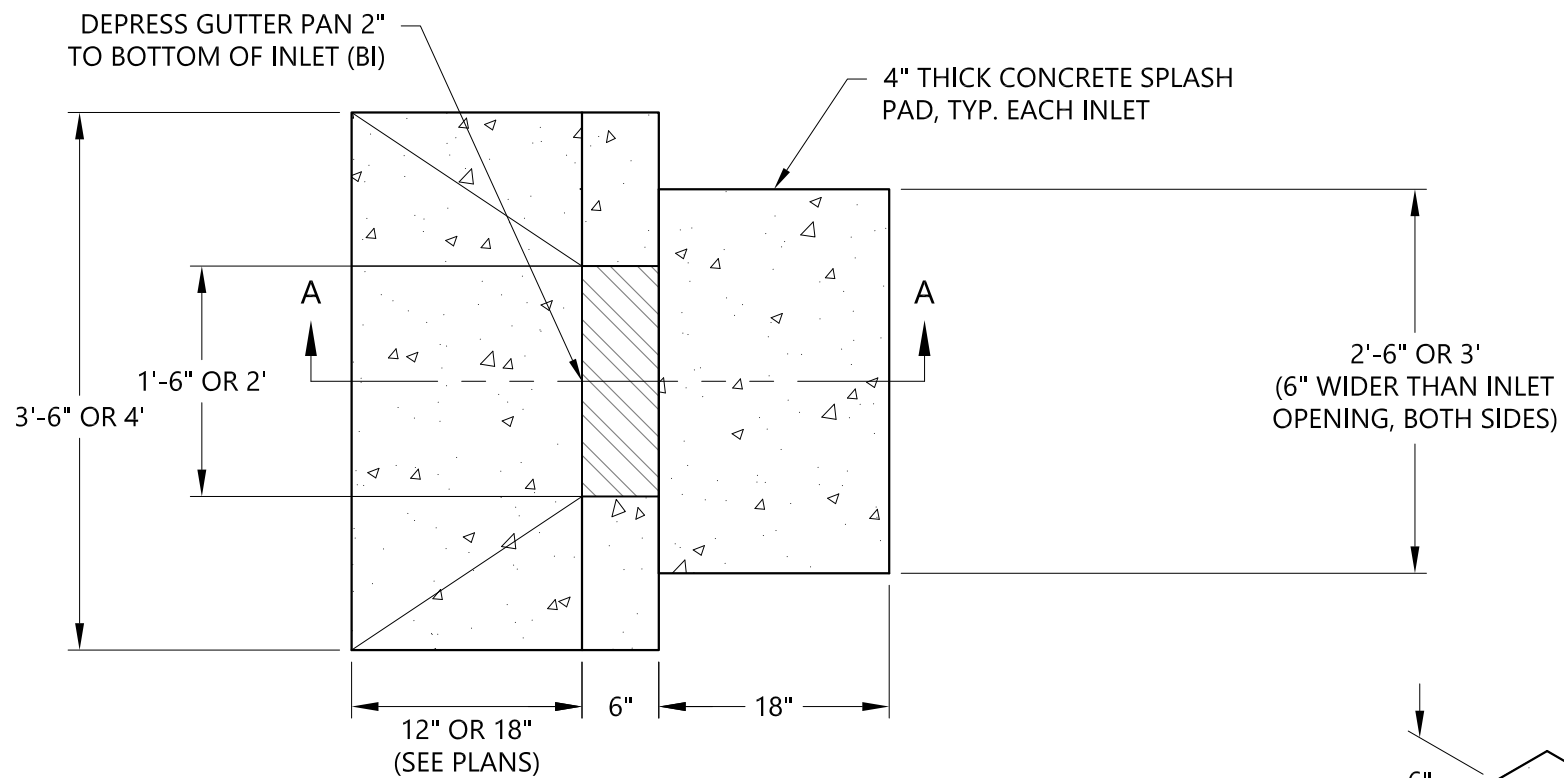
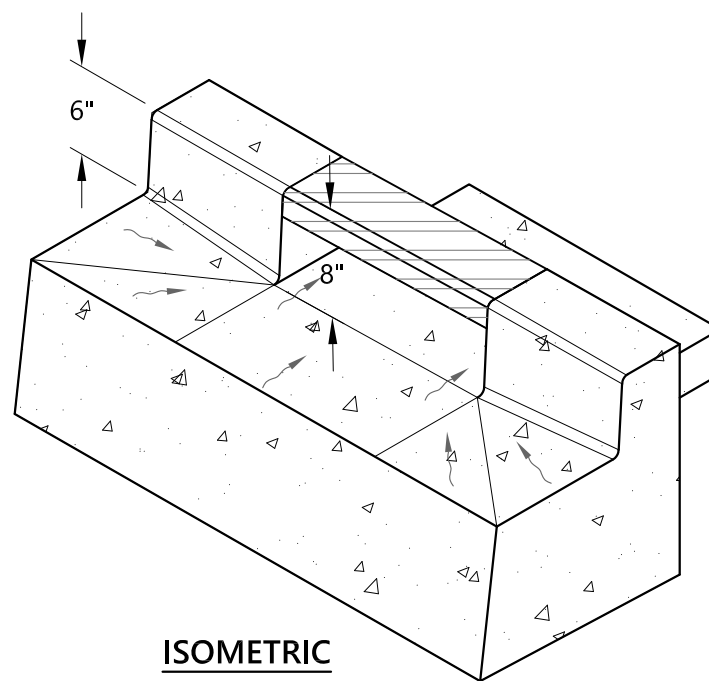


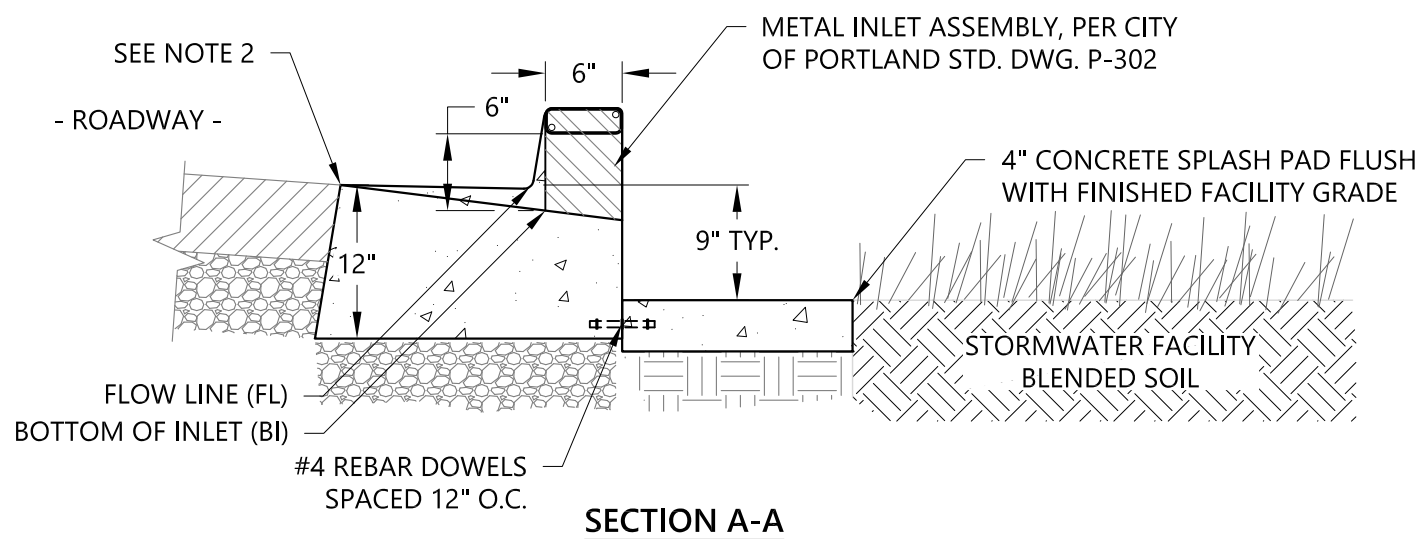
P-300_CONCRETE_INLET_TYPE_METAL.DWG 8/24/20 7:39 AM DANPE



PLAN



ISOMETRIC



SECTION A-A

NOTES:

1. REFER TO CITY OF PORTLAND STANDARD DRAWING P-540 FOR 18" THICKENED CURB AND GUTTER.
2. SMOOTH TRANSITION TO ENSURE WATER FLOWS INTO GUTTER.

<p>The selection and use of this Standard Drawing, while designed in accordance with generally accepted engineering principles and practices, is the sole responsibility of the user.</p>	<p style="text-align: center;">Bureau of Environmental Services CITY OF PORTLAND, OREGON</p> <hr/> <p style="text-align: center;">Chief Engineer</p>	
	<p>STANDARD DRAWING Title</p> <p style="text-align: center;">CONCRETE INLET, TYPE METAL</p>	
<p>Note: All material and workmanship shall be in accordance with the City of Portland Standard Construction Specifications.</p>	Effective Date: 07-31-20	<p>Standard Drawing No.</p> <p style="text-align: center;">P-300</p>
	Calc. Book No.: N/A	
	Baseline Report Date: N/A	