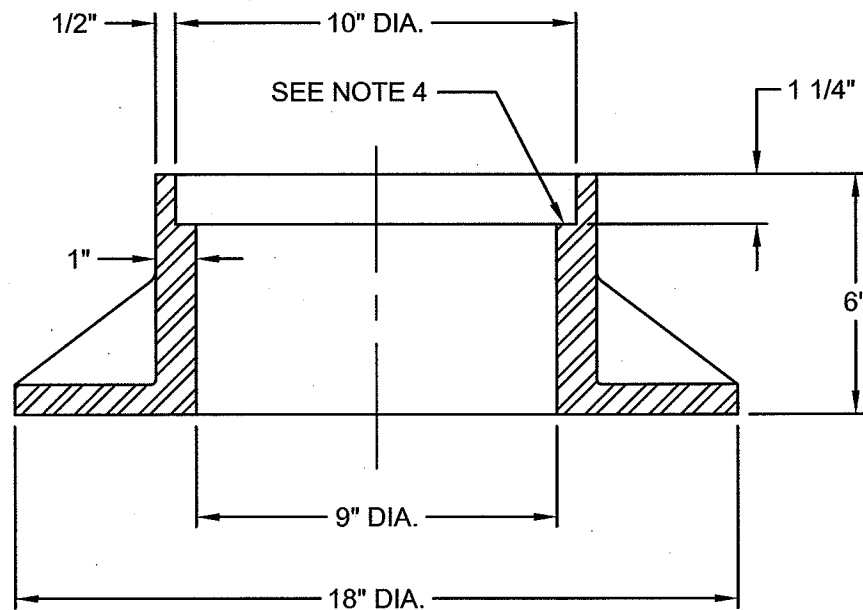
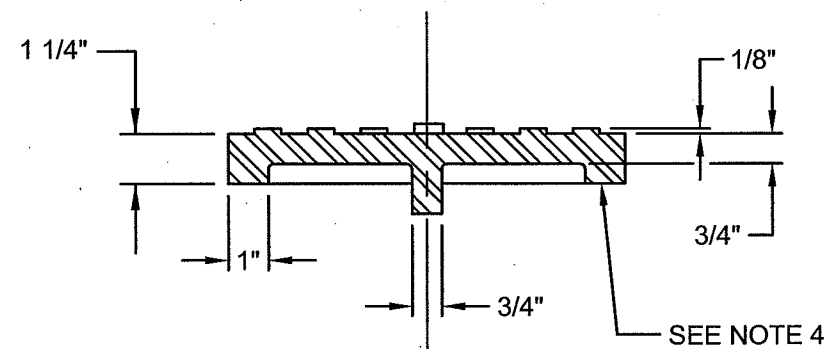


NOTES:

1. INLAND FOUNDRY MODEL 241 CAST IRON FRAME AND COVER OR EQUAL. CASTING SHALL MEET HS-20 LOAD REQUIREMENTS. CAST COVER WITH 2" HIGH AND 1/4" RAISED LETTERS SPELLING THE WORD "SEWER".
2. SUBSTITUTIONS SHALL HAVE DIMENSIONS EQUAL TO THOSE SHOWN.
3. ALL COVERS IN PEDESTRIAN ZONES SHALL HAVE A NON-SLIP SURFACE PER CITY OF PORTLAND SPECIFICATION 308.2.07.
4. MACHINE TO TRUE BEARING SURFACE.



**SECTION A-A
FRAME**



**SECTION B-B
COVER**

<p>The selection and use of this Standard Detail, while designed in accordance with generally accepted engineering principles and practices, is the sole responsibility of the user.</p>	<p>Bureau of Environmental Services CITY OF PORTLAND, OREGON</p> <p><i>Walter Flynn</i> Chief Engineer</p>	
	<p>Standard Detail Title</p> <p>Sanitary Cleanout Frame and Cover</p>	
<p>Note: All material and workmanship shall be in accordance with the City of Portland Standard Construction Specifications.</p>	<p>Effective Date: 01-01-09</p>	<p>Standard Detail No.</p> <p>P-260</p>
	<p>Calc. Book No.: N/A</p>	
	<p>Baseline Report Date: N/A</p>	