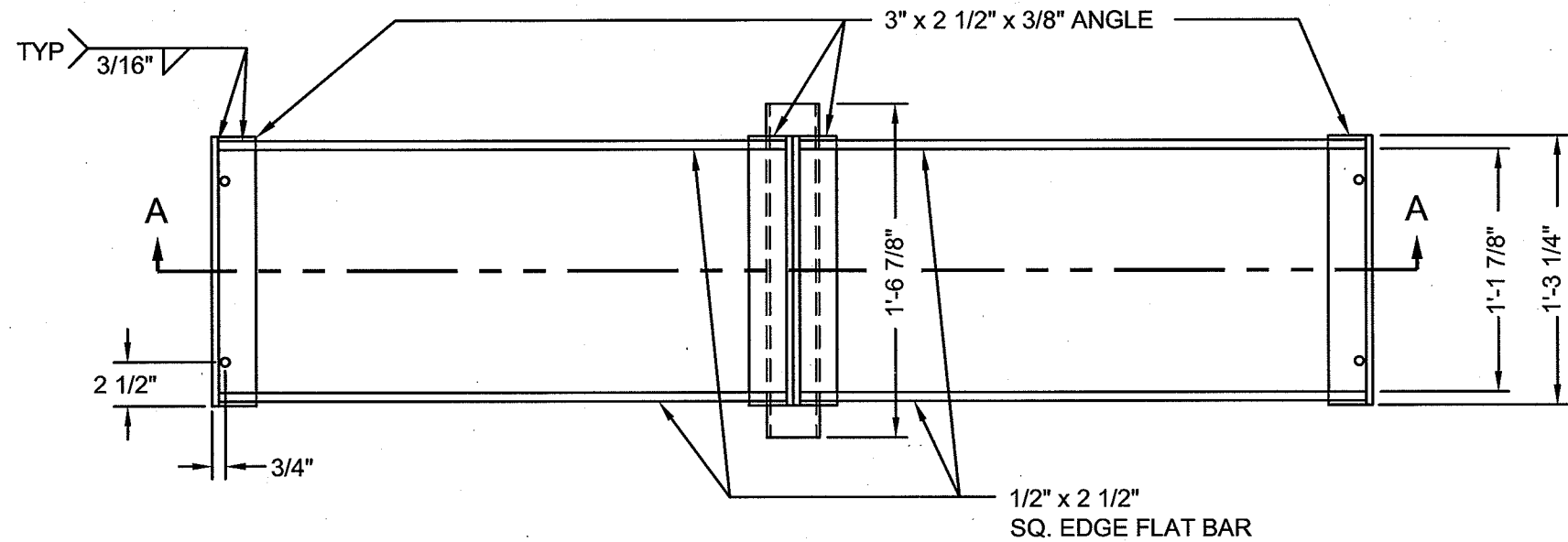
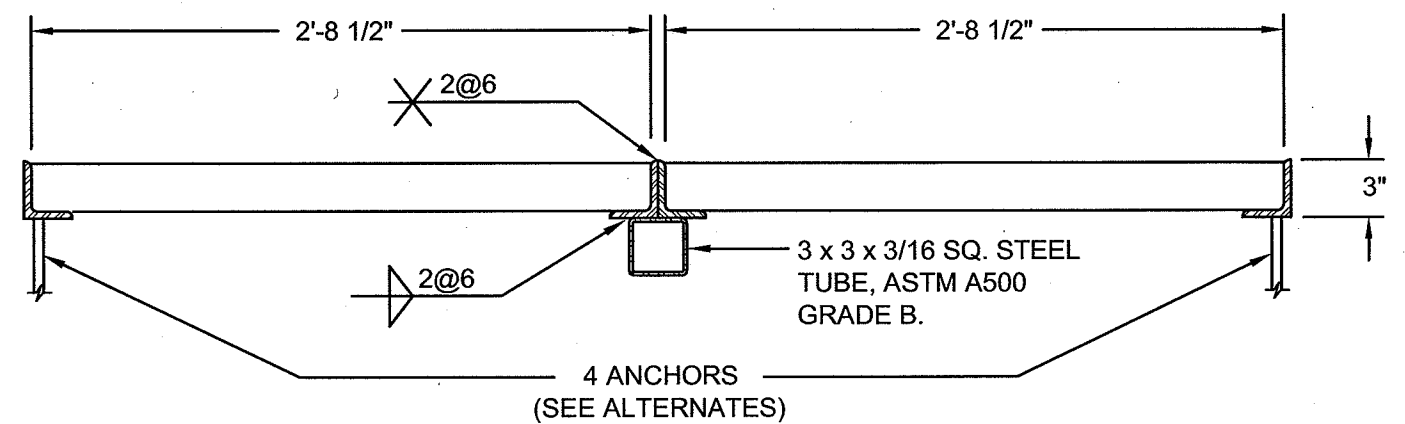


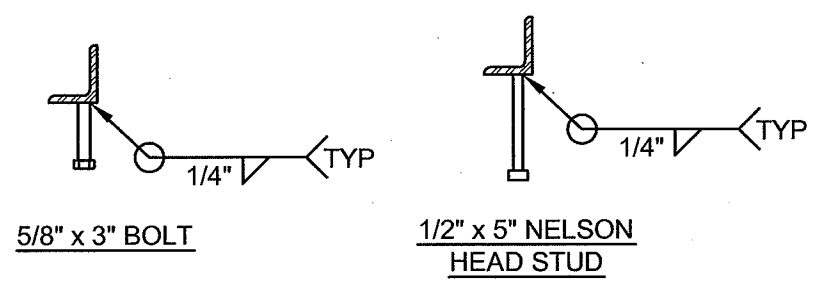
P-215\_DOUBLE\_INLET\_FRAME\_END-TO-END.DWG 4/6/09 6:36 PM RICKS



**PLAN VIEW**

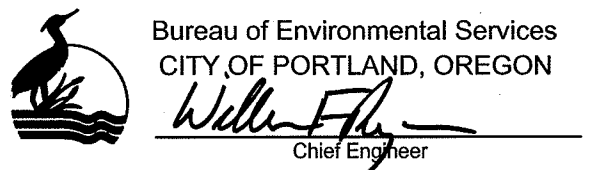


**SECTION A-A**



**ALTERNATE ANCHORS**

NOTE:  
MATERIAL TO BE NEW STRUCTURAL  
STEEL, ASTM A-36.

<p>The selection and use of this Standard Detail, while designed in accordance with generally accepted engineering principles and practices, is the sole responsibility of the user.</p>		
	<p>Standard Detail Title</p> <p style="text-align: center;">Double Inlet Frame - End to End</p>	
	<p>Effective Date: 01-01-09</p>	<p>Standard Detail No.</p> <p style="text-align: center; font-size: 1.2em;">P-215</p>
<p>Note: All material and workmanship shall be in accordance with the City of Portland Standard Construction Specifications.</p>		<p>Calc. Book No.: N/A</p> <p>Baseline Report Date: N/A</p>