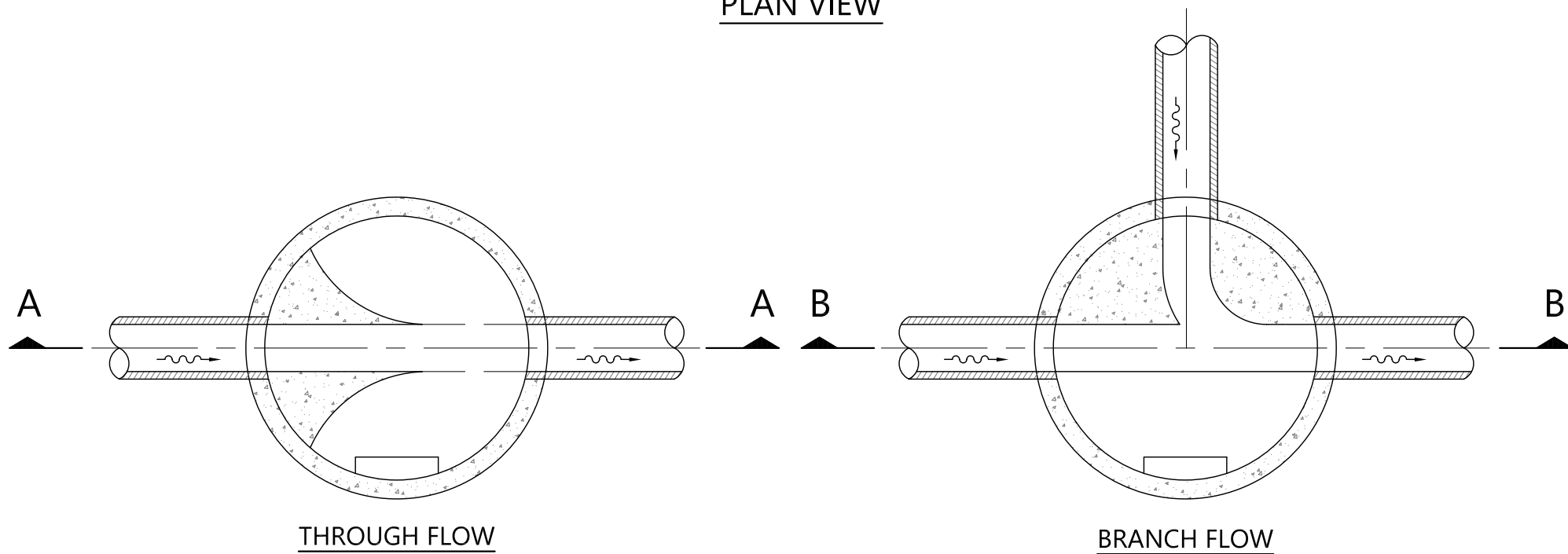


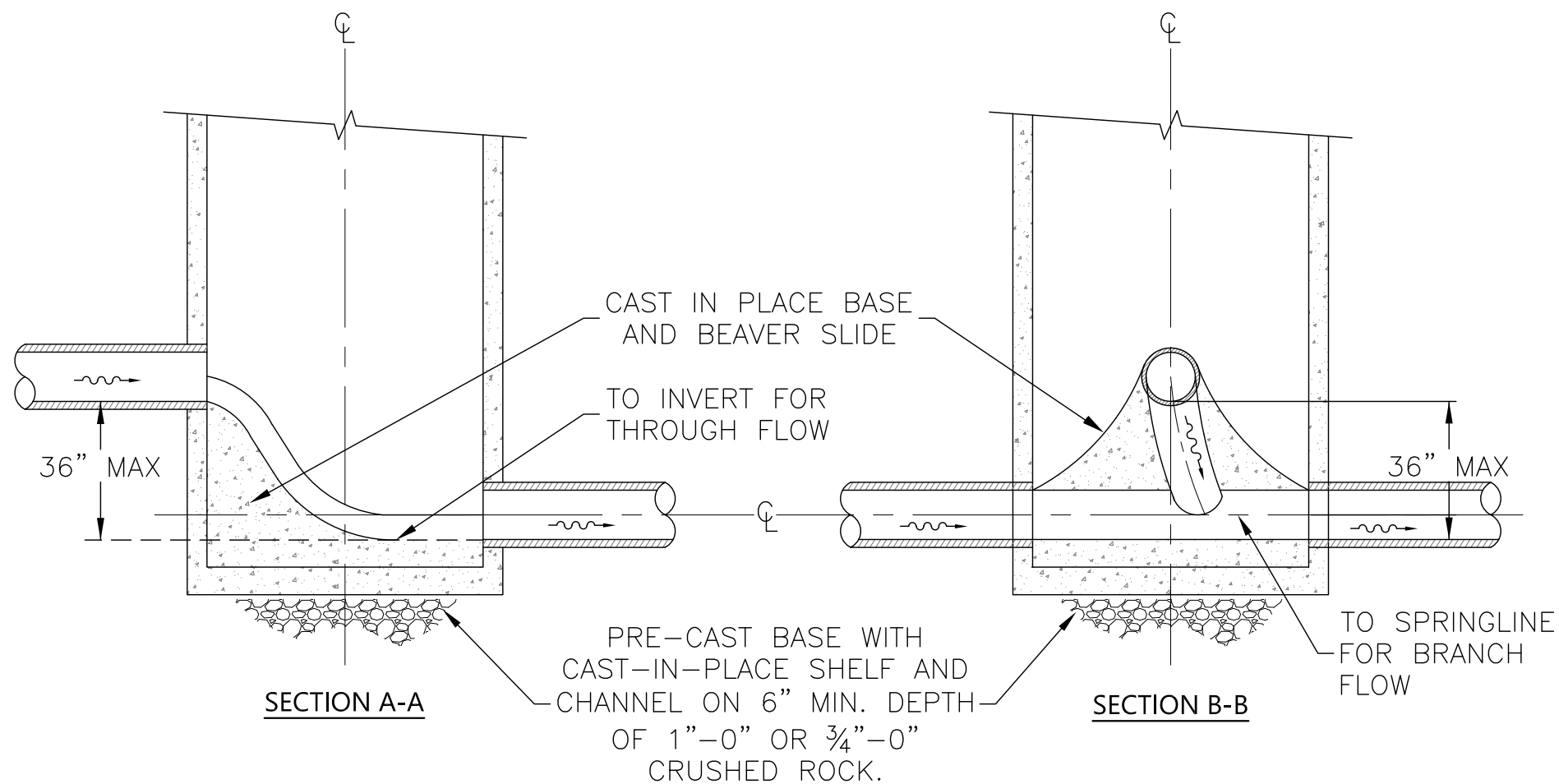
PLAN VIEW



THROUGH FLOW

BRANCH FLOW

SECTION VIEW




SECTION A-A

SECTION B-B

NOTES:

1. BEAVER SLIDES ARE TO BE USED ONLY WHEN DIRECTED BY OWNER'S REPRESENTATIVE.
2. 36-INCH MAX HEIGHT OR DROP, OR AS APPROVED BY OWNER'S REPRESENTATIVE.
3. CONCRETE SHALL CONFORM TO SPECIFICATION 00440, MINIMUM STRENGTH OF 3,000 PSI.
4. PREFER TO STANDARD DRAWING P-150 FOR ADDITIONAL REQUIREMENTS.

P-183\_BEAVER\_SLIDE\_MANHOLE.DWG 8/20/20 2:20 PM DANPE

<p>The selection and use of this Standard Detail, while designed in accordance with generally accepted engineering principles and practices, is the sole responsibility of the user.</p>	 <p>Bureau of Environmental Services CITY OF PORTLAND, OREGON</p> <p>_____ Chief Engineer</p>	
	<p>Standard Detail Title</p> <p style="text-align: center;"><b>Maintenance Hole with Beaver Slide</b></p>	
<p>Note: All material and workmanship shall be in accordance with the City of Portland Standard Construction Specifications.</p>	<p>Effective Date: 10-29-18</p>	<p>Standard Detail No.</p> <p style="text-align: center;"><b>P-183</b></p>
	<p>Calc. Book No.: N/A</p>	
	<p>Baseline Report Date: N/A</p>	