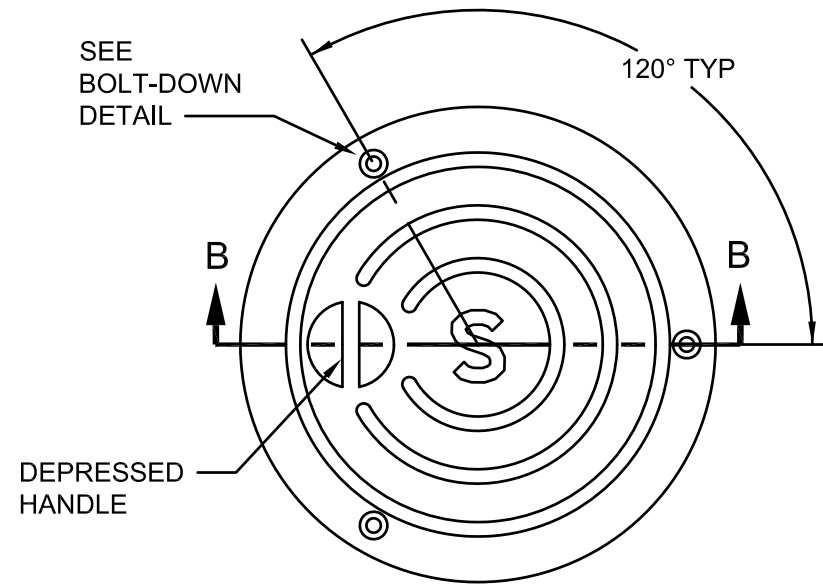
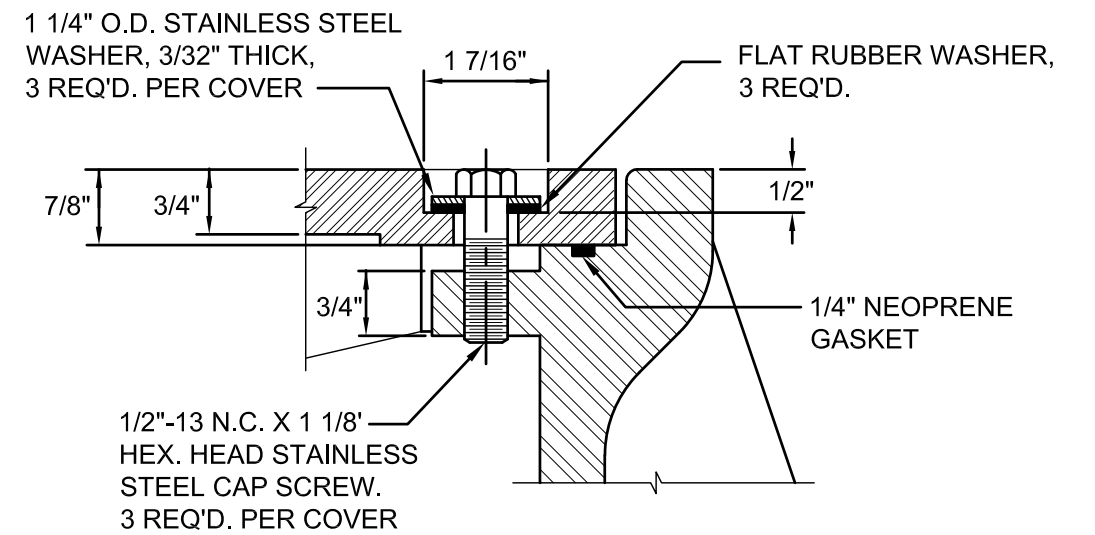


FRAME PLAN DETAIL



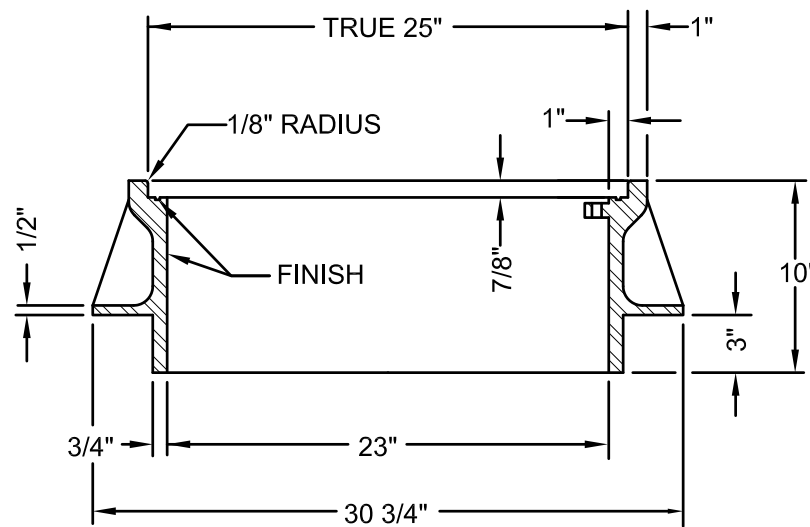
COVER PLAN DETAIL



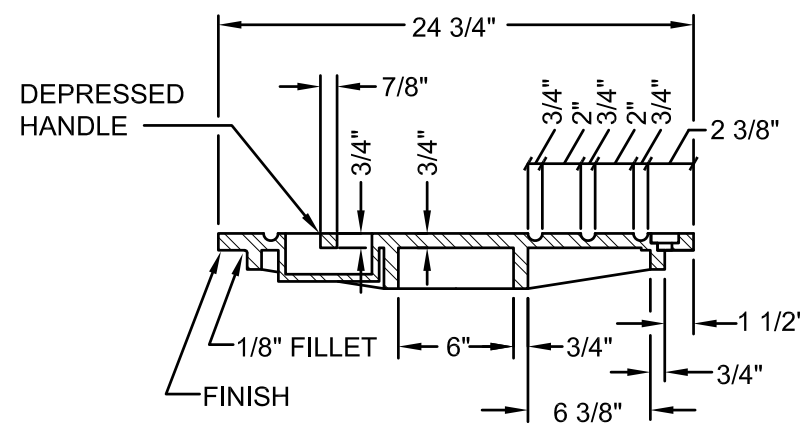
BOLT-DOWN DETAIL

NOTES:


- COVER & FRAME TO BE MACHINED TO A TRUE BEARING ALL AROUND.
- MATERIAL SHALL BE OF GREY CAST IRON, ASTM A-48, CLASS 30.



SECTION A-A



SECTION B-B

<p>The selection and use of this Standard Detail, while designed in accordance with generally accepted engineering principles and practices, is the sole responsibility of the user.</p>	 <p>Bureau of Environmental Services CITY OF PORTLAND, OREGON</p> <p>_____ Chief Engineer</p>
	<p>Standard Detail Title</p> <p>Watertight Maintenance Hole Frame & Cover 10 Inch Depth</p>
	<p>Effective Date: 01-01-09</p> <p>Calc. Book No.: N/A</p> <p>Baseline Report Date: N/A</p>
<p>Note: All material and workmanship shall be in accordance with the City of Portland Standard Construction Specifications.</p>	<p>Standard Detail No.</p> <p>P-182</p>