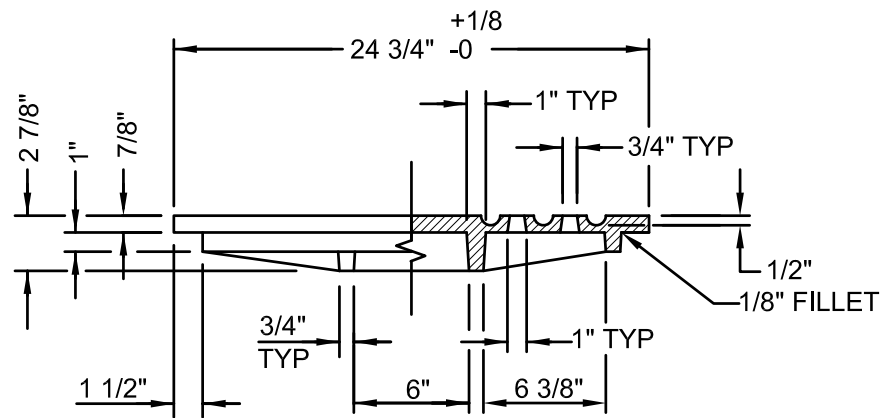
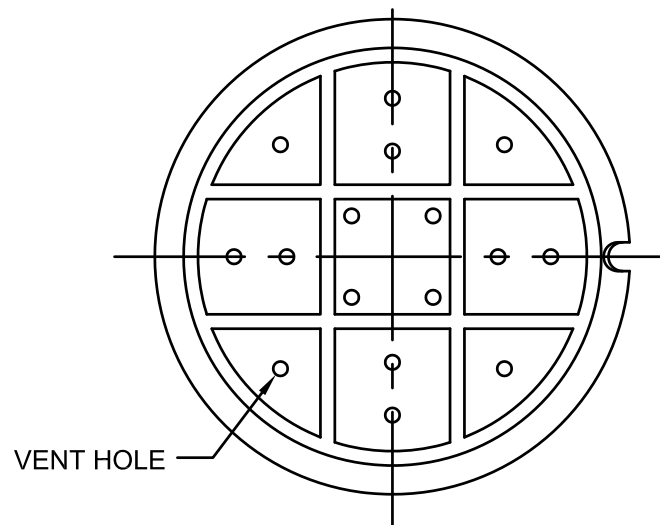


TOP VIEW




SECTION A-A



BOTTOM VIEW

NOTES:

1. MATERIAL TO BE GRAY CAST IRON, ASTM A48, CLASS 30, WEIGHT APPROX. 139 LBS.
2. MACHINE TO A TRUE BEARING ALL AROUND.

<p>The selection and use of this Standard Detail, while designed in accordance with generally accepted engineering principles and practices, is the sole responsibility of the user.</p>	 <p>Bureau of Environmental Services CITY OF PORTLAND, OREGON</p> <p>_____ Chief Engineer</p>	
	<p>Standard Detail Title</p> <p style="text-align: center;">Maintenance Hole Cover</p>	
<p>Note: All material and workmanship shall be in accordance with the City of Portland Standard Construction Specifications.</p>	<p>Effective Date: 01-01-09</p>	<p>Standard Detail No.</p> <p style="text-align: center;">P-176</p>
	<p>Calc. Book No.: N/A</p>	
	<p>Baseline Report Date: N/A</p>	