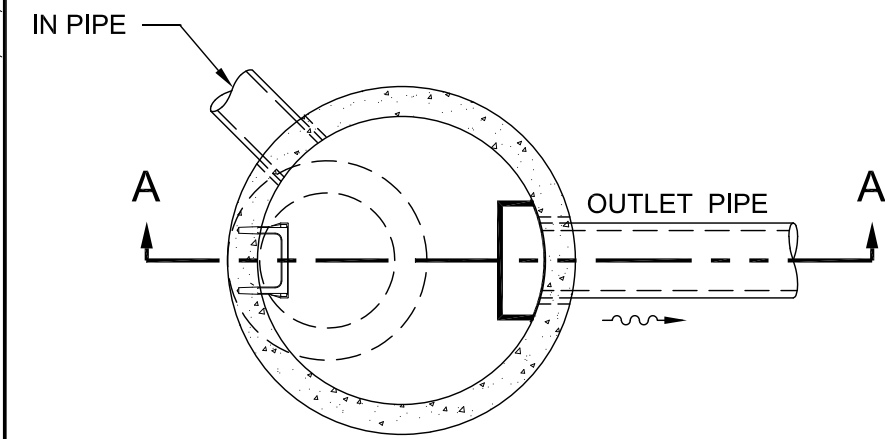


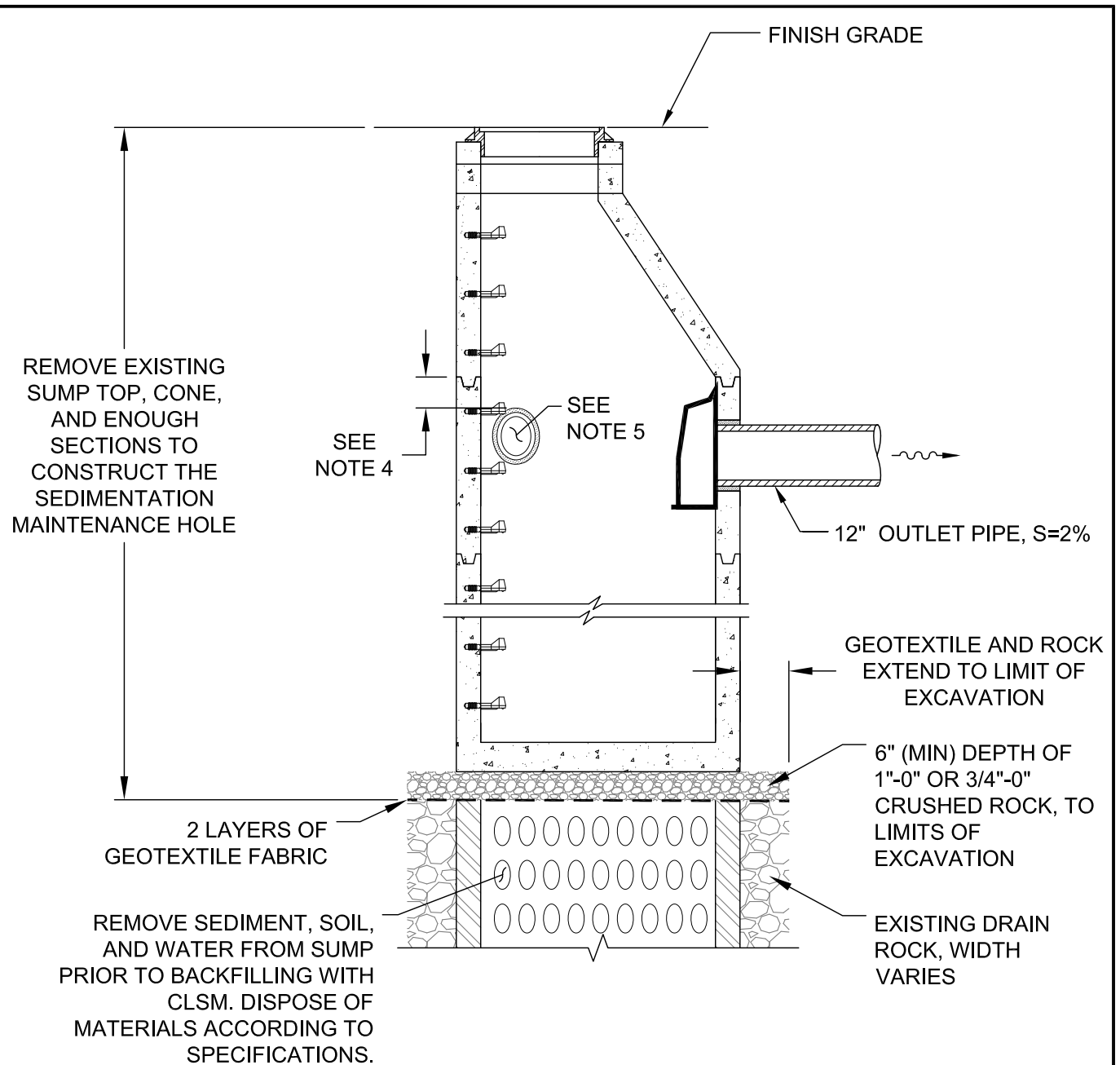
SECTION A-A



PLAN

NOTES:

1. ALL PRECAST SECTIONS SHALL CONFORM TO THE REQUIREMENTS OF THE CITY OF PORTLAND MANUFACTURING STANDARDS FOR PRECAST CONCRETE PRODUCTS (MSPCP), AS REVISED.
2. MAINTENANCE HOLE STEPS – REFER TO THE STANDARD DETAIL P-168.
3. PROVIDE A FLEXIBLE JOINT FOR ALL CONNECTED PIPES:
 - RIGID PIPE < 36 INCHES – 18 INCHES (MAX.) FROM OUTSIDE WALL
 - FLEXIBLE PIPE – 18 INCHES (MAX.) FROM THE OUTSIDE WALL UNLESS A FLEXIBLE JOINT FITTING IS INSTALLED AND ACCEPTED.
4. PROVIDE 6 INCHES (MIN.) OF SEPARATION BETWEEN A SECTION JOINT AND THE OUTER EDGE OF ANY OPENING.
5. LOCATE INVERT OF ANY PIPE 6 INCHES (MIN.) ABOVE THE OUTLET PIPE INVERT



IN LOCATION OF EXISTING SUMP

The selection and use of this Standard Detail, while designed in accordance with generally accepted engineering principles and practices, is the sole responsibility of the user.	Bureau of Environmental Services CITY OF PORTLAND, OREGON _____ Chief Engineer	
	Standard Detail Title Sedimentation Maintenance Hole and Sedimentation Maintenance Hole in Location of Existing Sump	
	Note: All material and workmanship shall be in accordance with the City of Portland Standard Construction Specifications.	Effective Date: 06-15-20 Calc. Book No.: N/A Baseline Report Date: N/A