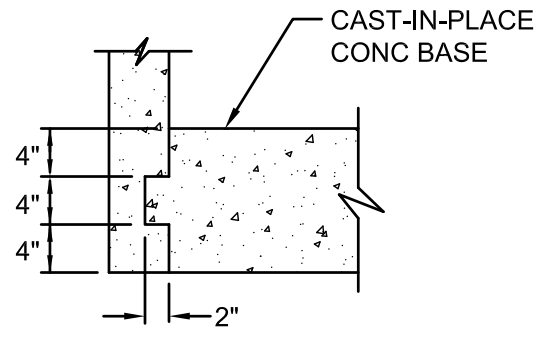
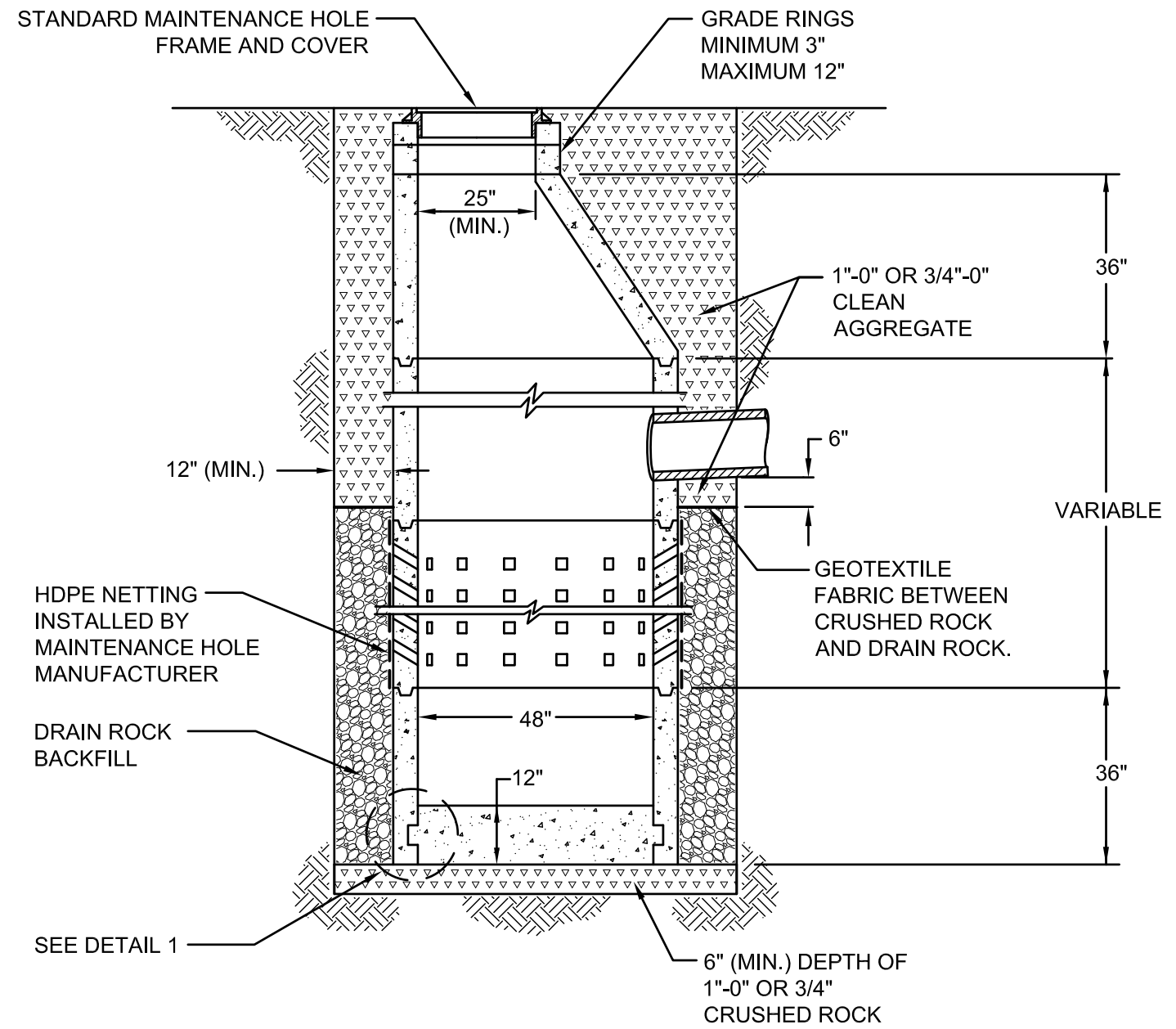


**PLAN**



**DETAIL 1**



**SECTION A-A**

**NOTES:**

1. ALL PRECAST SECTIONS SHALL CONFORM TO THE REQUIREMENTS OF THE CITY OF PORTLAND MANUFACTURING STANDARDS FOR PRECAST CONCRETE PRODUCTS (MSPCP), AS REVISED.
2. PROVIDE 6 INCHES CLEAN CRUSHED ROCK UNDER ALL CONNECTING PIPE.
3. DO NOT CONNECT PIPE TO ANY PERFORATED SECTION. PROVIDE 48 INCHES OF SEPARATION BETWEEN THE CONE BASE AND ANY WEEP HOLES.
4. CAST-IN-PLACE CONCRETE SHALL BE COMMERCIAL GRADE. FORM BASE TO BE LEVEL AND SMOOTH. A PRECAST CONCRETE BASE MAY BE SUBSTITUTED FOR THE BASE SHOWN.
5. PROVIDE A FLEXIBLE JOINT FOR ALL CONNECTING PIPES:
  - RIGID PIPE < 36 INCHES – 18 INCHES (MAX.) FROM OUTSIDE WALL
  - FLEXIBLE PIPE – 18 INCHES (MAX.) FROM THE OUTSIDE WALL UNLESS A FLEXIBLE JOINT FITTING IS INSTALLED AND ACCEPTED.
6. PROVIDE 12 INCHES (MIN.) OF SEPARATION BETWEEN A SECTION JOINT AND THE OUTER EDGE OF ANY OPENING

P-160\_PRECAST\_SUMP.DWG 8/20/20 11:00 AM DANPE

<p>The selection and use of this Standard Detail, while designed in accordance with generally accepted engineering principles and practices, is the sole responsibility of the user.</p>	<p>Bureau of Environmental Services CITY OF PORTLAND, OREGON</p> <p>_____ Chief Engineer</p>	
	<p>Standard Detail Title</p> <p><b>Precast Sump</b></p>	
<p>Note: All material and workmanship shall be in accordance with the City of Portland Standard Construction Specifications.</p>	Effective Date: 02-29-16	<p>Standard Detail No.</p> <p><b>P-160</b></p>
	Calc. Book No.: N/A	
	Baseline Report Date: N/A	