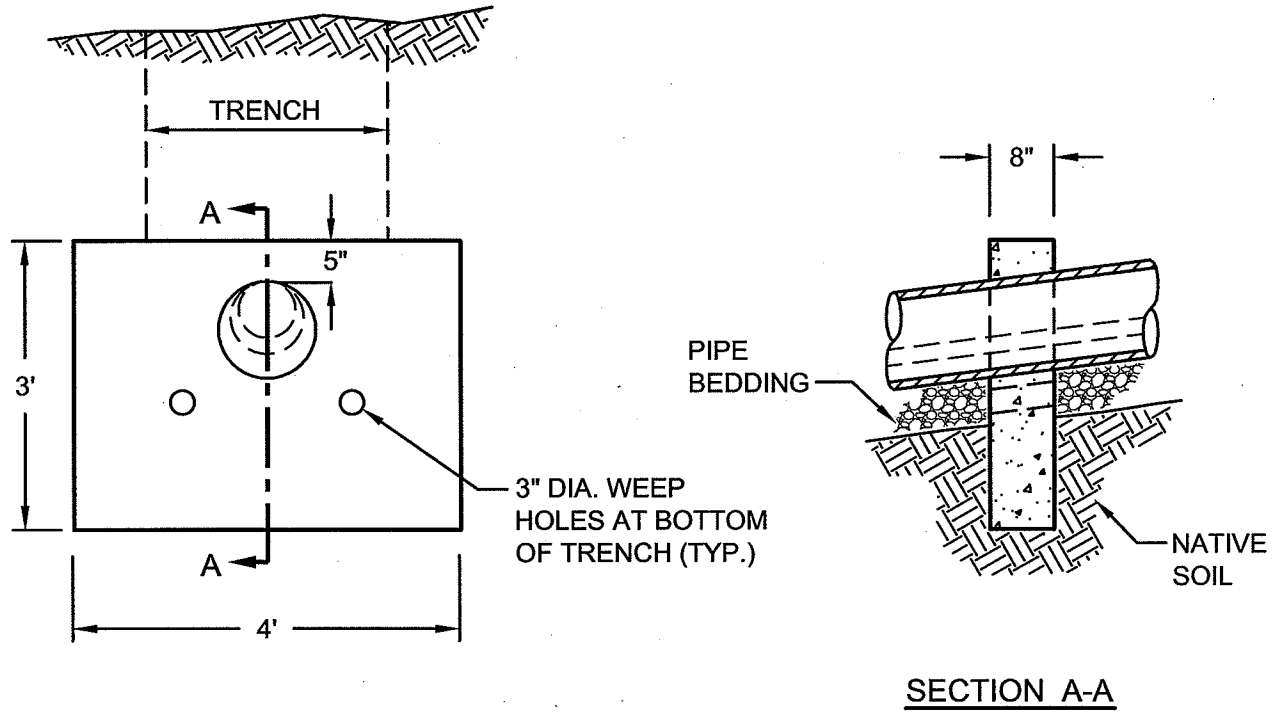
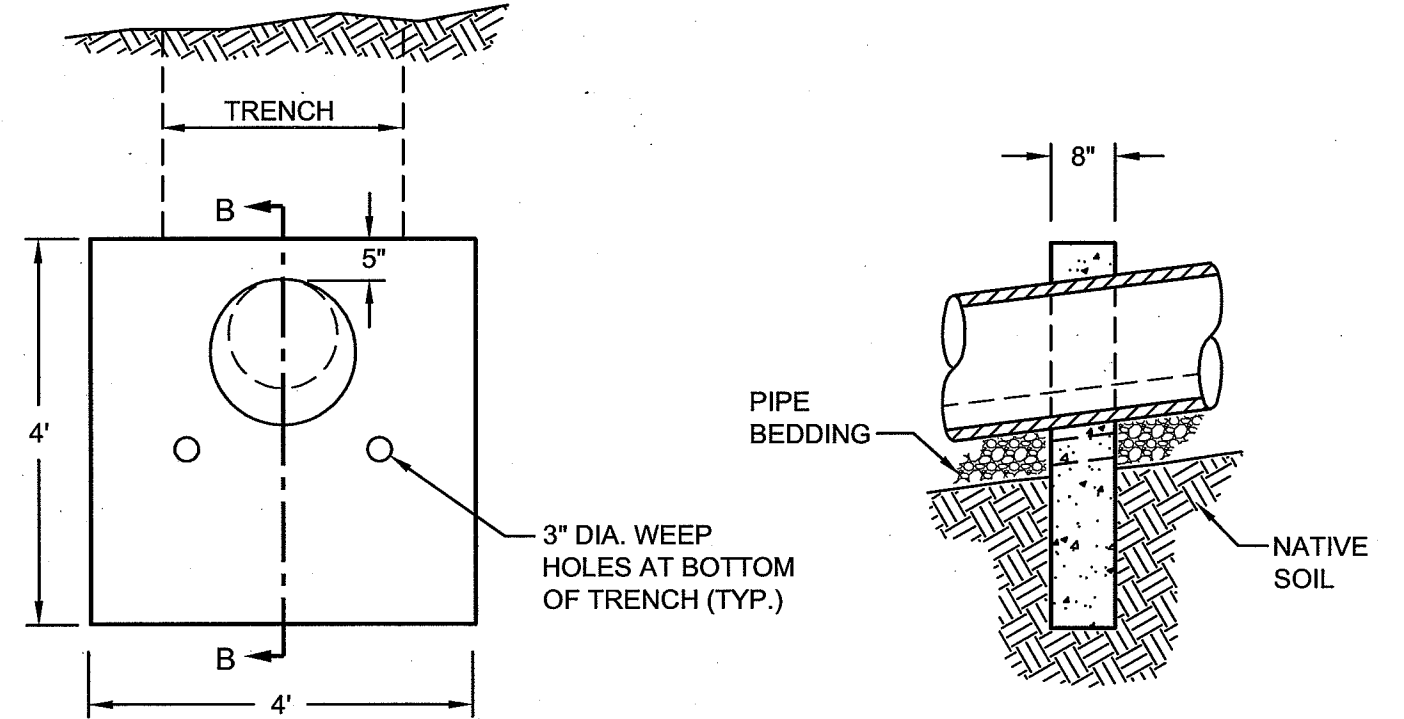


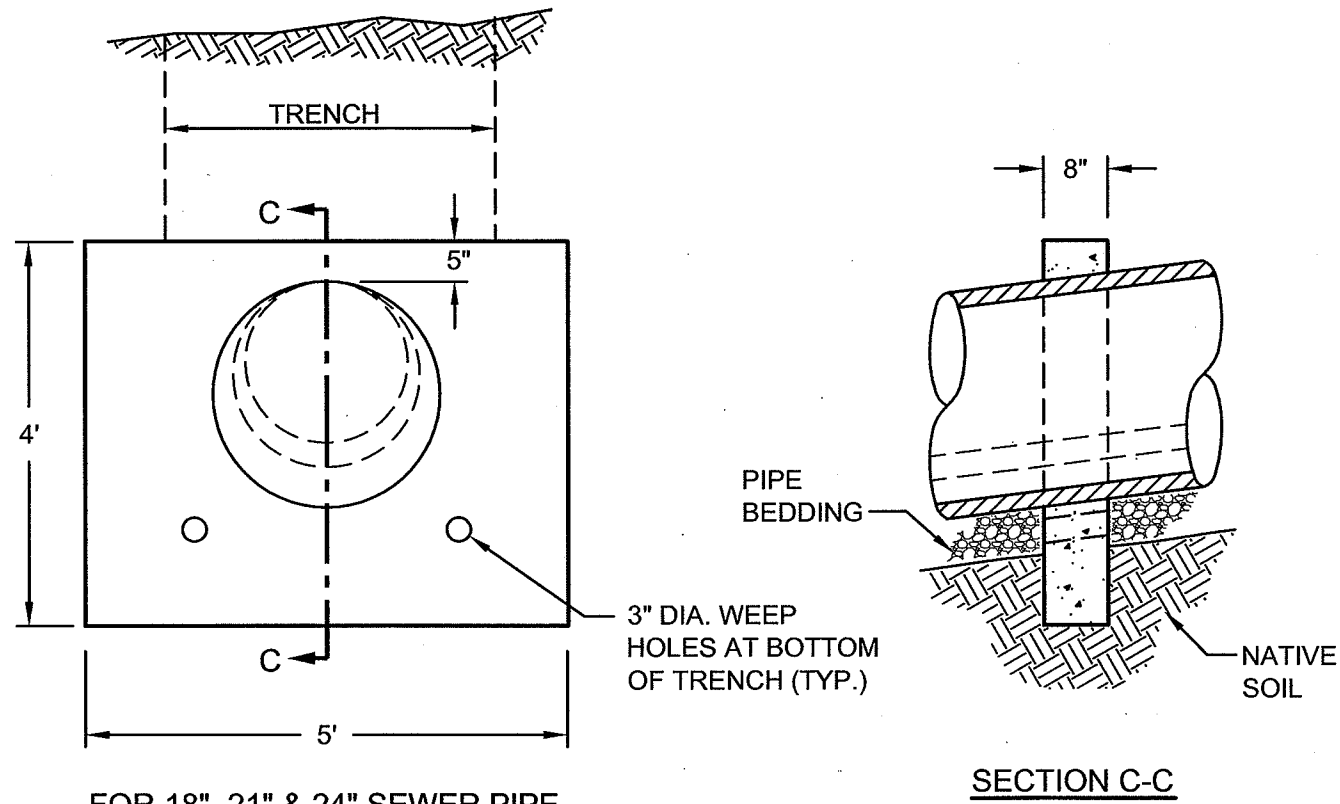
P-102\_CONC\_ANCHOR\_WALLS\_SEWER.DWG 4/6/09 5:29 PM RICKS



FOR 6", 8" & 10" SEWER PIPE  
0.29 CU. YD. CONCRETE EACH




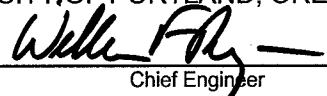
FOR 12" & 15" SEWER PIPE  
0.37 CU. YD. CONCRETE EACH



FOR 18", 21" & 24" SEWER PIPE  
0.42 CU. YD. CONCRETE EACH

**NOTES:**

1. ALL CONCRETE TO BE COMMERCIAL GRADE CONCRETE.
2. ANCHOR WALLS TO BE EQUALLY SPACED WITH MAXIMUM DISTANCE BETWEEN WALLS TO BE 21 FT ON SLOPE MEASURE.
3. PLACE WALL IMMEDIATELY BELOW BELL OF PIPE.

The selection and use of this Standard Detail, while designed in accordance with generally accepted engineering principles and practices, is the sole responsibility of the user.	 Bureau of Environmental Services CITY OF PORTLAND, OREGON  Chief Engineer	
	Standard Detail Title	
	Concrete Anchor Walls For Sewer Pipe	
Note: All material and workmanship shall be in accordance with the City of Portland Standard Construction Specifications.	Effective Date: 01-01-09	Standard Detail No.  <b>P-102</b>
	Calc. Book No.: N/A	
	Baseline Report Date: N/A	