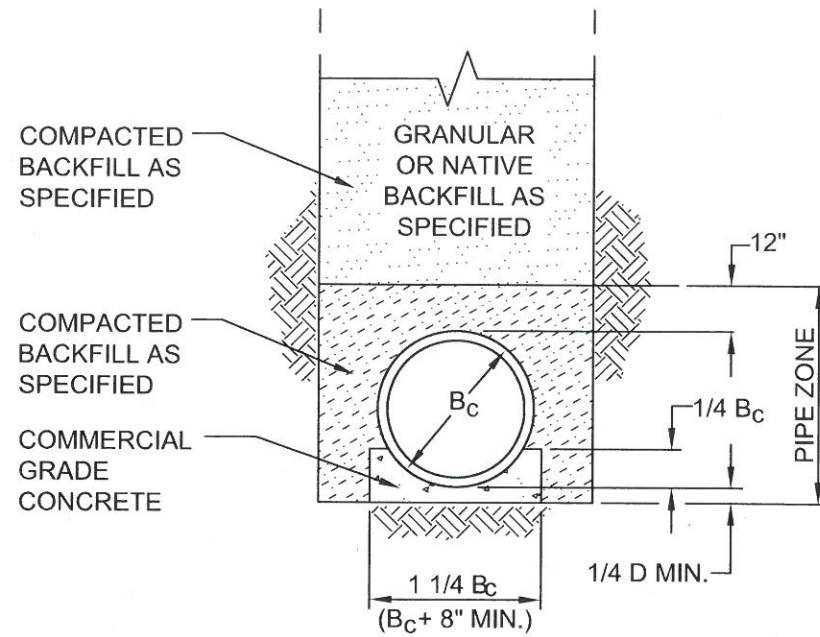
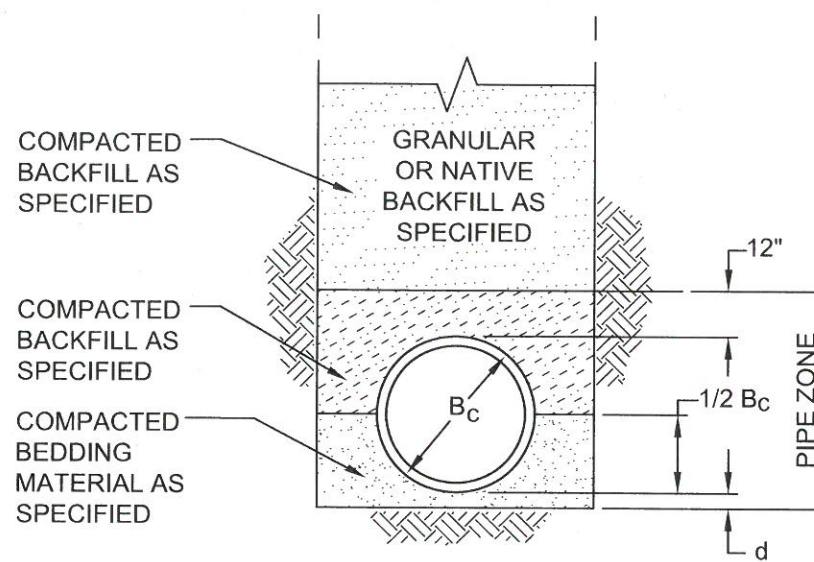


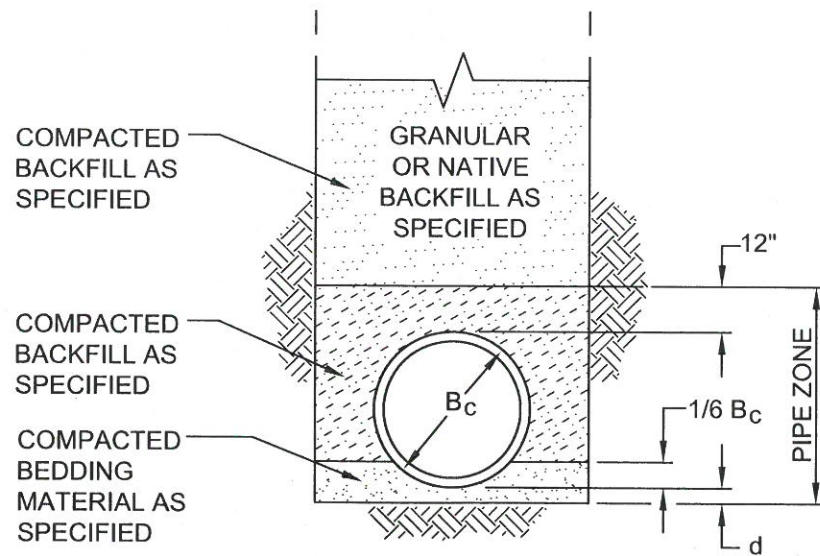
P-101_PIPE_BEDDING_PIPE_ZONE.DWG 12/19/16 2:42 PM DPERDE



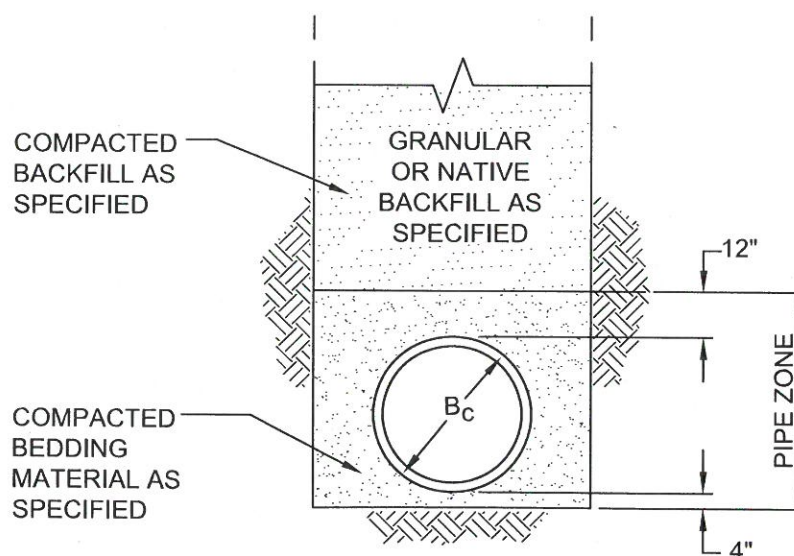
**CLASS A
CONCRETE CRADLE**



CLASS B BEDDING



CLASS C BEDDING



**FLEXIBLE PIPE
OR CLASS D BEDDING**



DEPTH OF BEDDING MATERIAL BELOW PIPE FOR CLASSES B AND C	
D	d (MIN.)
27" & SMALLER	3"
30" TO 60"	4"
66" & LARGER	6"

LEGEND:

- B_c = OUTSIDE DIAMETER
- d = DEPTH OF BEDDING MATERIAL BELOW PIPE
- D = INSIDE DIAMETER

NOTES:

1. FOR ROCK OR OTHER INCOMPRESSIBLE MATERIALS, THE TRENCH SHALL BE OVEREXCAVATED A MINIMUM OF 6" AND REFILLED WITH GRANULAR MATERIAL AS DIRECTED BY THE ENGINEER.
2. FOUNDATION STABILIZATION: WHERE DIRECTED, FOUNDATION STABILIZATION SHALL BE PLACED PRIOR TO PLACEMENT OF PIPE BEDDING.
3. FOR TRENCH RESURFACING, REFER TO PBOT STANDARD DRAWINGS, AND AS OTHERWISE SPECIFIED.

The selection and use of this Standard Detail, while designed in accordance with generally accepted engineering principles and practices, is the sole responsibility of the user.	 Bureau of Environmental Services CITY OF PORTLAND, OREGON  Chief Engineer	
	Standard Detail Title	
	Pipe Bedding and Pipe Zone	
Note: All material and workmanship shall be in accordance with the City of Portland Standard Construction Specifications.	Effective Date: 12-15-16	Standard Detail No. P-101
	Calc. Book No.: N/A	
	Baseline Report Date: N/A	