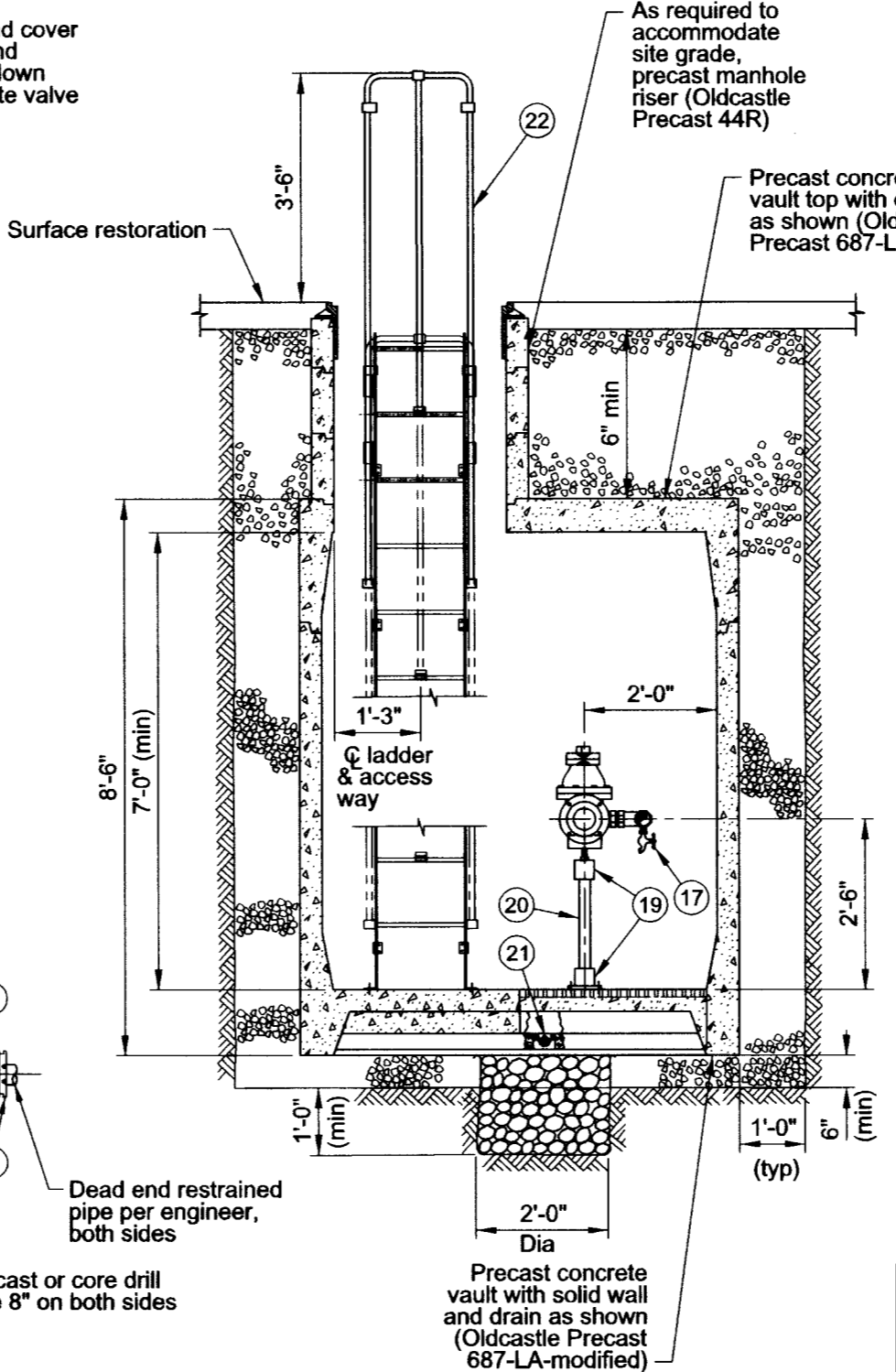
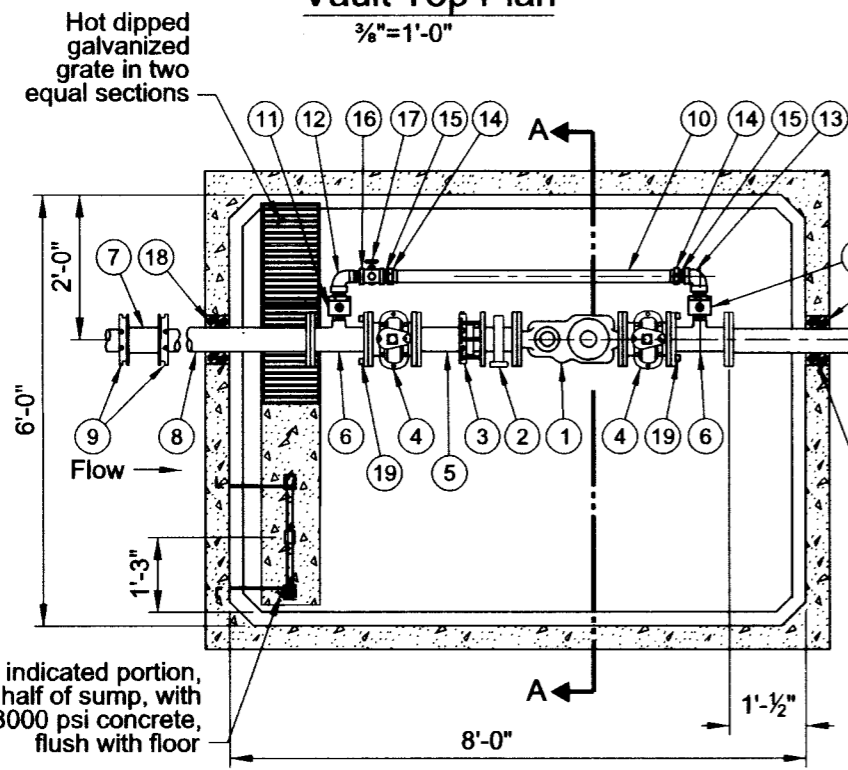


Vault Top Plan
3/8"=1'-0"



Section A-A
3/8"=1'-0"




Vault Floor Plan
3/8"=1'-0"

List of Parts			
Item No	Size	Qty	Description
1	4"	1	Meter, compound with test outlet
2	4"	1	Strainer, FLG x FLG
3	4"	1	Restrained dismantling assembly (MegaFlange)
4	4"	2	Gate Valve, FLG x FLG OL
5	4"	1	Nipple, DI FLG x PE 8"-9" long (field fit)
6	4"x4"x2"	2	Drip Tee, FLG x FLG x FIPT
7	4"	2	Solid sleeve, DI MJ
8	4"	2	Nipple, DI FLG X PE 48" long (field fit)
9	4"	4	Gland, wedge action retainer (Megalug)
10	2"	1	Tubing, copper (field fit)
11	2"	2	Corporation stop, ball valve, MIPT x MIPT
12	2"	1	Street elbow, brass FIPT
13	2"	1	Common elbow, brass FIPT x FIPT, 90 degrees
14	2"	2	Coupling, brass FIPT x CC
15	2"	2	Nipple, brass close IPT
16	2"x2"x3/4"	1	Tee, brass FIPT x FIPT
17	3/4"	1	Hose bib, brass MIPT
18	4"	2	Seal, mechanical penetration (Link Seal LS-410-C-7)
19	4"	2	Adjustable pipe support, hot dipped galvanized
20	2"	2	Pipe, galvanized steel (field fit)
21	4"	1	Drain check valve
22		1	Ladder, galv steel with aluminum extension (field fit) (Oldcastle Precast)
23	30"	1	Manhole frame and cover, 30" true opening

Notes:

See General Vault Drawing (P-855) for construction and material notes.

<p>The selection and use of this Standard Drawing, while designed in accordance with generally accepted engineering principles and practices, is the sole responsibility of the user.</p>	 <p>PORTLAND WATER BUREAU CITY OF PORTLAND, OREGON</p> <p><i>[Signature]</i> Chief Engineer</p>	
	<p>Standard Drawing Title</p> <p>4" Compound Meter with 2" Bypass in 6-8-7 Vault (In Street)</p>	
<p>Note: All material and workmanship shall be in accordance with City of Portland Standard Construction Specifications.</p>	Effective Date	Aug 17 2015
	Calc. Book No.	PWB 1
	Baseline Report Date	Aug 17 2015
		Standard Drawing No.
		P-867