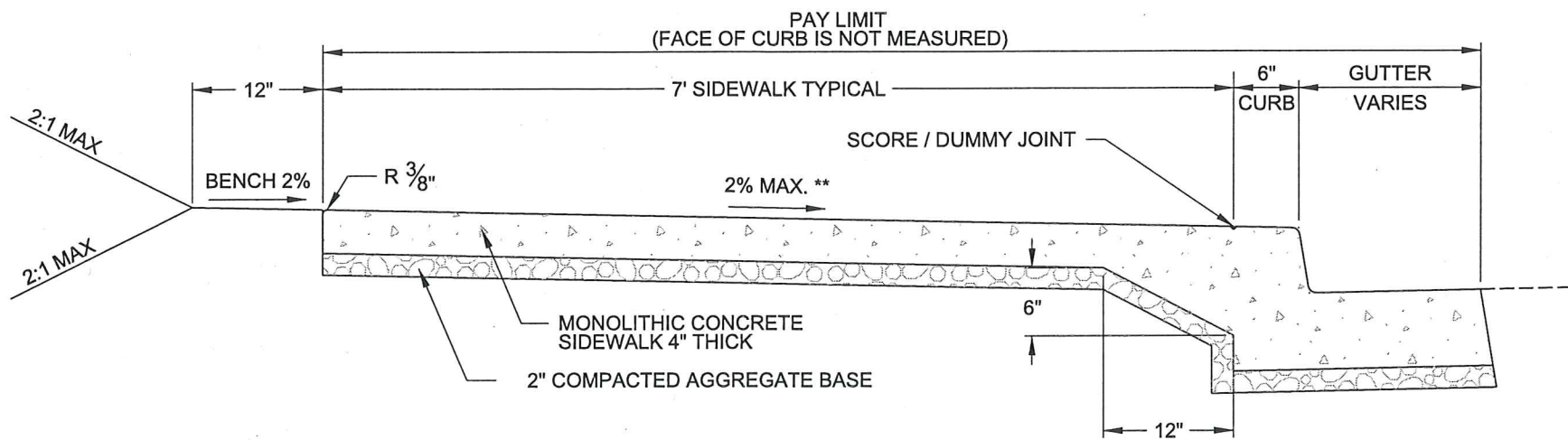
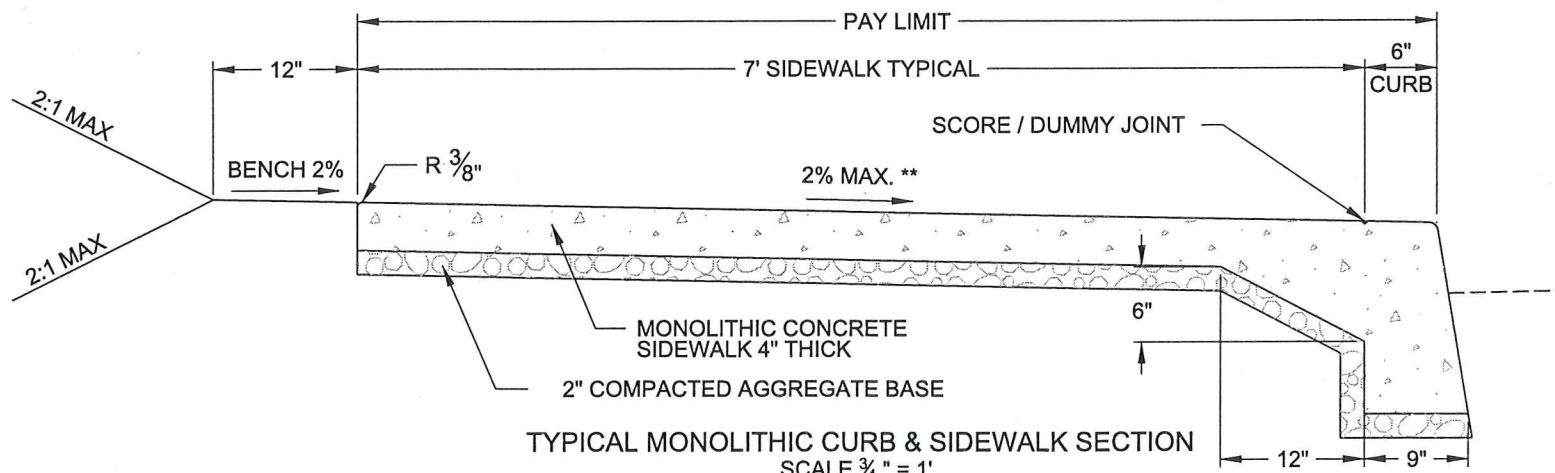


TYPICAL SEPARATED SIDEWALK SECTION
SCALE 3/4" = 1'



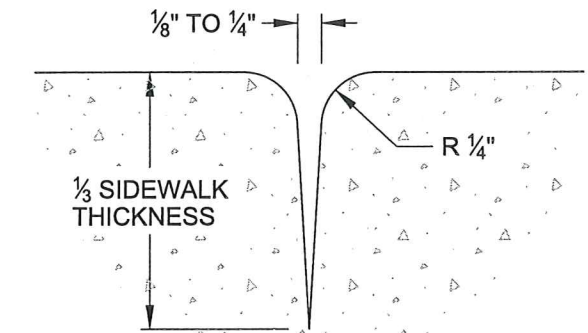
TYPICAL MONOLITHIC CURB GUTTER & SIDEWALK SECTION
SCALE 3/4" = 1'



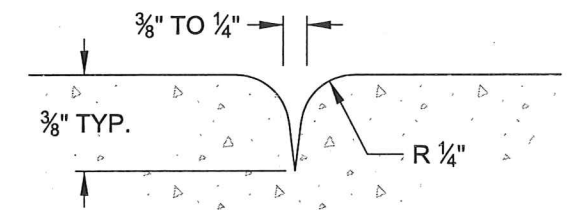
TYPICAL MONOLITHIC CURB & SIDEWALK SECTION
SCALE 3/4" = 1'

GENERAL NOTES:

1. FOR CURB DETAILS SEE DRAWING P-540. ALL CURB FACE TO HAVE A 6:1 BATTER.
2. CONSTRUCT CONTRACTION JOINTS AT 15' MAXIMUM SPACING, AND AT ENDS OF EACH DRIVEWAY RAMP.
3. CONSTRUCT EXPANSION JOINTS ADJACENT TO BUILDINGS AND AT WOOD POLES.
4. NO SEPARATE PAYMENT MADE FOR FACE OF CURB UNLESS SPECIFIED.
5. PROVIDE LIGHT BROOM FINISH TRANSVERSE TO THE LINE OF TRAFFIC.
6. "SHINERS" OR SMOOTH TROWELLED JOINTS SHALL NOT BE USED UNLESS MATCHING INTO EXISTING CONDITIONS.
7. MATCH SCORING PATTERN WHEN ABUTTING EXISTING SIDEWALK UNLESS OTHERWISE DIRECTED.
8. SAWCUT CONTRACTION JOINTS WHEN SIDEWALK IS A DESIGNATED OR SHARED BICYCLE PATH. SEE PLANS FOR SAWCUT LAYOUT AND DETAILS



CONTRACTION JOINT DETAIL
NOT TO SCALE



SCORE / DUMMY JOINT DETAIL
NOT TO SCALE

SIDEWALK SCORING *	
ZONE WIDTH	SCORING GRID
5'	5' x 5'
6'	3' x 3'
7'	3.5' x 3.5'
8'	4' x 4'
10'	5' x 5'
12'	4' x 4'
15'	5' x 5'

* MODIFY SCORING AT CORNERS TO MEET ADA REQUIREMENTS.

Plot Date: 5/9/2019 3:42:30 PM

** USE 1.5% FOR DESIGN GRADE MAXIMUM FOR CONSTRUCTION TOLERANCE.

<p>The selection and use of this Standard Drawing, while designed in accordance with generally accepted engineering principles and practices, is the sole responsibility of the user.</p>	<p>PORTLAND BUREAU OF TRANSPORTATION</p> <p>City Engineer</p>	
	<p>Standard Drawing Title</p> <p>SIDEWALKS</p>	
<p>Note: All material and workmanship shall be in accordance with the City of Portland Standard Construction Specifications.</p>	<p>Effective Date: 04-17-2019</p> <p>Calc. Book No.:</p> <p>Std. Drg. Report Date:</p>	<p>Standard Drawing No.</p> <p>P-551</p>