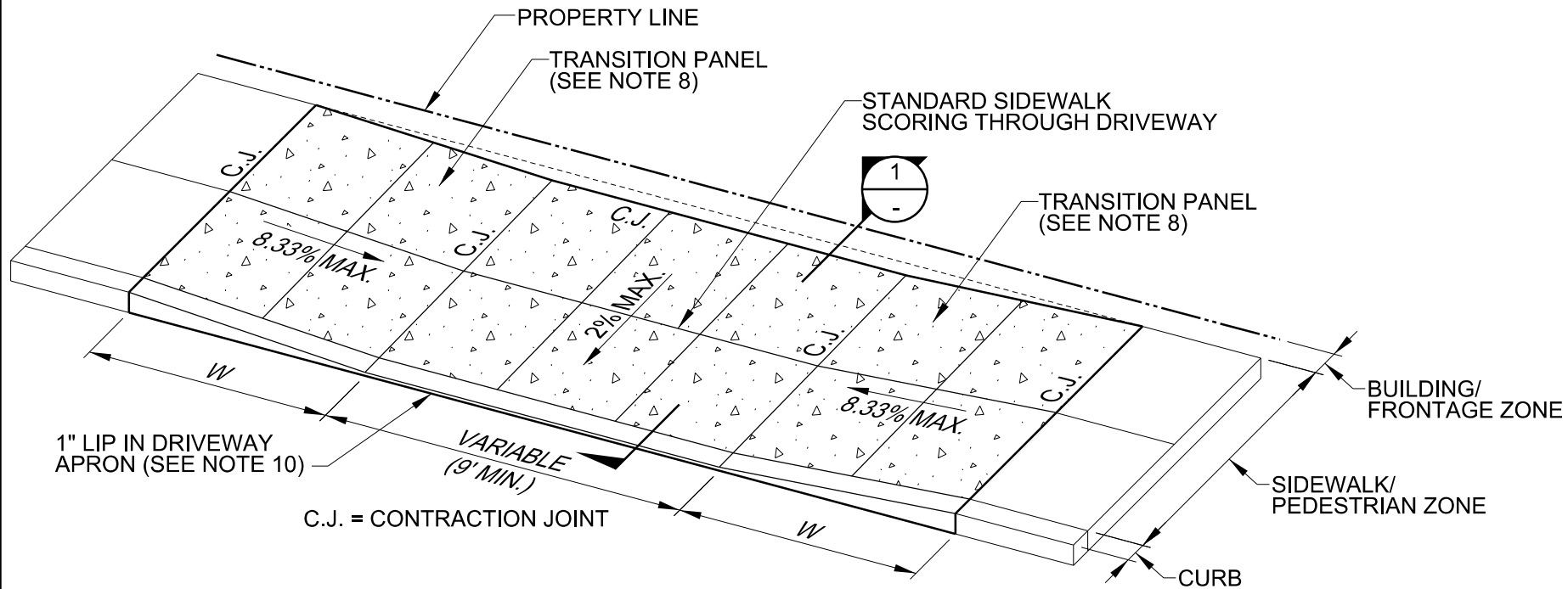


SCALE: 1/8" = 1'-0"

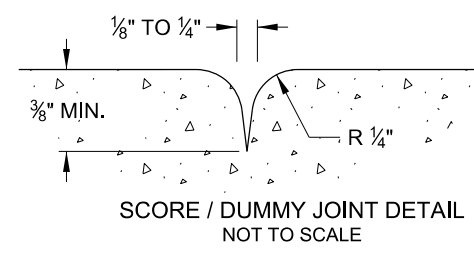


**NOTES:**

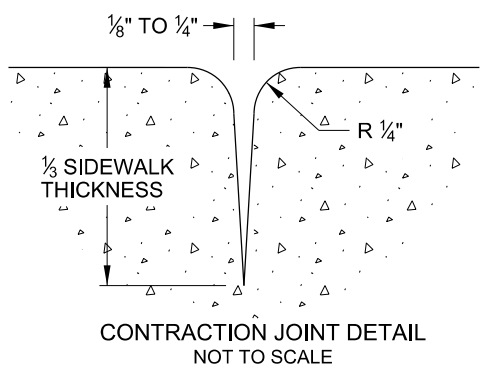
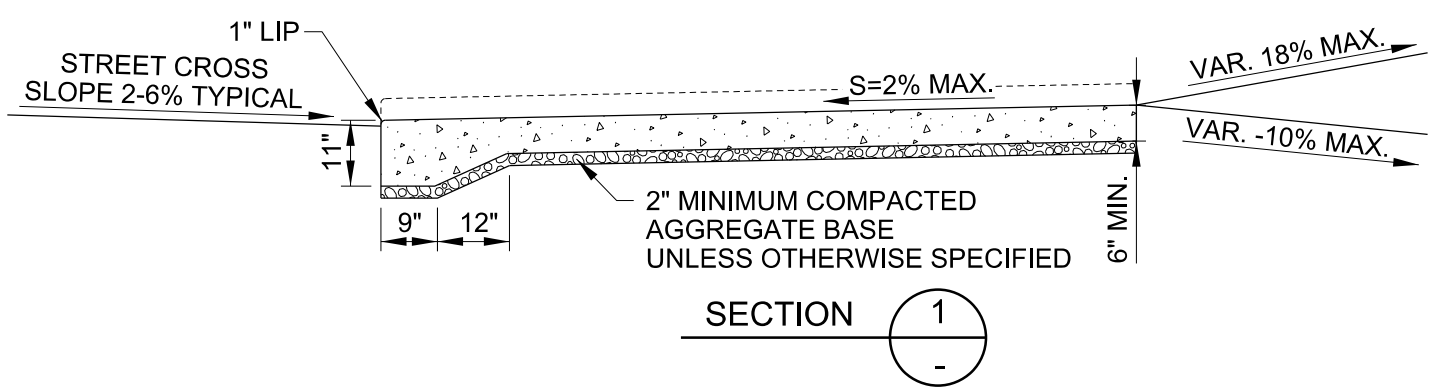
1. WHERE DRIVEWAY CONNECTION TO PROPERTY IS A NEGATIVE GRADE, THE GUTTER FLOW DEPTH MEASURED FROM GUTTER LINE TO BACK OF SIDEWALK ELEVATION SHALL HAVE A MINIMUM OF 3" VERTICAL RISE TO ASSURE THAT STORMWATER WILL NOT OVERTOP THE BACK OF SIDEWALK. IF THIS CONDITION CANNOT BE MET, PLACE AN INLET AT THE UPSTREAM SIDE OF DRIVEWAY OR OTHER APPROVED DESIGN MITIGATION.
2. STANDARD SIDEWALK SCORING SHALL CONTINUE THROUGH DRIVEWAY TO DELINEATE SIDEWALK/PEDESTRIAN ZONE PER DRG. NO. P-551.
3. A MINIMUM OF 3' DRIVEWAY CONNECTION SHALL BE PAVED BEHIND THE SIDEWALK TO PREVENT TRACKING OF GRAVEL OR DIRT ONTO THE SIDEWALK.
4. PAY LIMIT FOR DRIVEWAYS IS THE OUTER LIMIT OF THICKER STRUCTURAL SECTION THAT IS SUBJECT TO VEHICLE LOADS.
5. DRIVEWAYS SHALL BE Poured MONOLITHIC WITH CURB.
6. IF APPROVED, WHERE EXISTING DRIVEWAY IS IN GOOD CONDITION AND MEETS SLOPE REQUIREMENTS, MAY CONSTRUCT ONLY AS REQUIRED FOR SATISFACTORY CONNECTION WITH NEW WORK.
7. THE WIDTH OF THE DRIVEWAY WINGS MAY BE INCREASED INDEPENDENT OF WIDTHS SPECIFIED PER DRIVEWAY CLASSIFICATION TO MEET THE TRANSITION PANEL SLOPE REQUIREMENTS AS NECESSARY (15' MAXIMUM).
8. WHEN COMBINATION CURB AND GUTTER IS USED, THE GUTTER PAN SHALL BE INCLUDED IN THE PAY LIMITS FOR THE DRIVEWAY.
9. WHEN EXISTING CURB EXPOSURE IS 5" OR LESS, OMIT THE 1" LIP IN DRIVEWAY APRON.
10. NO VERTICAL IMPEDIMENT (POLES, SIGNS, TREES, ETC) WITHIN 3' OF THROAT.

DRIVEWAY CLASSIFICATION	WIDTH OF WINGS = W*	DRIVEWAY THICKNESS
RESIDENTIAL	6' MIN.	6"
COMMERCIAL	10'	6"
INDUSTRIAL	12'	8"

\*WIDTH OF WINGS MAY BE MODIFIED SLIGHTLY TO MATCH ADJACENT SIDEWALK SCORING; COORDINATE W/ ENGINEER AND/OR INSPECTOR



S = SLOPE



<p>The selection and use of this Standard Drawing, while designed in accordance with generally accepted engineering principles and practices, is the sole responsibility of the user.</p>	<p><b>PBOT</b> PORTLAND BUREAU OF TRANSPORTATION</p> <p>DocuSigned by: <i>Steve Townsen</i> City Engineer 866548F...</p>	
	<p>Standard Drawing Title</p> <p><b>CURB TIGHT SIDEWALK FULLY LOWERED DRIVEWAY</b></p>	
<p>Note: All material and workmanship shall be in accordance with the City of Portland Standard Construction Specifications.</p>	<p>Effective Date: 02/08/2017</p> <p>Calc. Book No.:</p> <p>Baseline Report Date:</p>	<p>Standard Drawing No.</p> <p style="font-size: 24pt; font-weight: bold;">P-531</p>

Plot Date: 2/8/2017 3:47:28 PM